



# STAR WARNING SYSTEMS®

**LIST  
PRICE LIST**

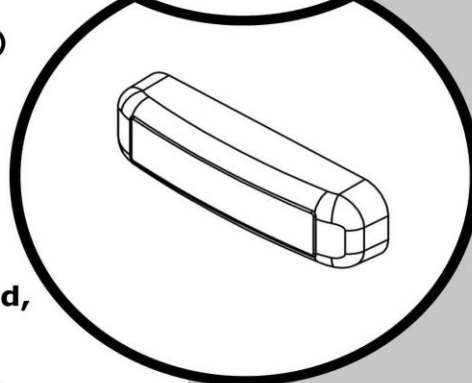
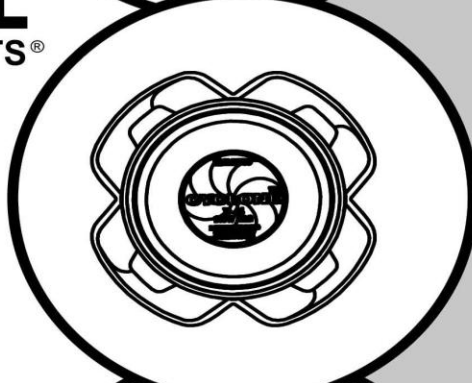
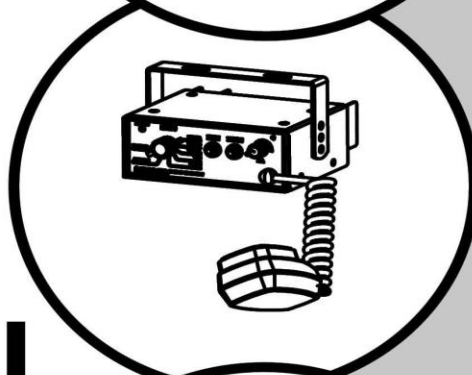
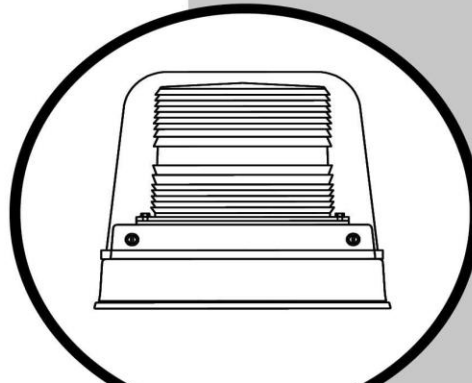
Version: PL02-1-17B

Effective February 1, 2017

**"Proudly Designed, Manufactured,  
and Assembled in the U.S.A.!"**

[www.starheadlight.com](http://www.starheadlight.com)

An ISO 9001-2008 Certified Company



**D.O.T. • UTILITY • SECURITY • CONSTRUCTION  
• POLICE**

<b>Star Halo® LED Beacons</b>		
<b>* = Dome colors: A, B, C, G, R</b>		
<b>Model Number</b>	<b>Description</b>	<b>List</b>
200AH8L-*	Ultra high intensity LEDs, perm. mount, 10-30V	282.23
200AHL-*	High intensity LEDs, perm. mount, 10-30V	259.58
200BH8L-*	Ultra high intensity LEDs, perm. mount, ¾" pipe mount, 10-30V	282.23
200BHL-*	High intensity LEDs, perm. mount, ¾" pipe mount, 10-30V	259.58
200CH8L-*	Ultra high intensity LEDs, perm. mount, 10-30V	243.70
200CHL-*	High intensity LEDs, perm. mount, 10-30V	221.39
200CHF8L-*	Ultra high intensity LEDs, perm. mount, three hole flange base, 10-30V	243.70
200CHFL-*	High intensity LEDs, perm. mount, three hole flange base, 10-30V	221.39
200SH8L-*	Ultra high intensity LEDs, perm. mount, ½" pipe mount, 10-30V	221.39
200SH8LM-*	Ultra high intensity LEDs, mag. mount, 10-16V	237.28
200SHL-*	High intensity LEDs, perm. mount, ½" pipe mount, 10-30V	210.24
200SHLM-*	High intensity LEDs, mag. mount, 10-16V	225.78
240H8AFL-*	Ultra high intensity LEDs, dust cover, flange base, ½" pipe mount, 10-30V	221.39
240H8AFL1-*	Ultra high intensity LEDs, dust cover, flange base, 1" pipe mount, 10-30V	221.39
240H8AL-*	Ultra high intensity LEDs, dust cover, perm. mount, ½" pipe mount, 10-30V	212.26
240H8AL1-*	Ultra high intensity LEDs, dust cover, 1" pipe mount, 10-30V	212.26
240H8ALM-*	Ultra high intensity LEDs, dust cover, mag. mount, 10-16V	228.15
240H8CFL-*	Ultra high intensity LEDs, tall lens, flange base, ½" pipe mount, 10-30V	212.26
240H8CFL1-*	Ultra high intensity LEDs, tall lens, flange base, 1" pipe mount, 10-30V	212.26
240H8CGL-*	Ultra high intensity LEDs, tall lens, perm. mount, G-plate, 10-30V	221.39
240H8CL-*	Ultra high intensity LEDs, tall lens, perm. mount, ½" pipe mount, 10-30V	203.48
240H8CL1-*	Ultra high intensity LEDs, tall lens, perm. mount, 1" pipe mount, 10-30V	203.48
240H8CLM-*	Ultra high intensity LEDs, tall lens, mag. mount, 10-16V	219.02
240H8SFL-*	Ultra high intensity LEDs, short lens, flange base, ½" pipe mount, 10-30V	203.48
240H8SFL1-*	Ultra high intensity LEDs, short lens, flange base, 1" pipe mount, 10-30V	203.48
240H8SGL-*	Ultra high intensity LEDs, short lens, perm. mount, G-plate, 10-30V	221.39
240H8SL-*	Ultra high intensity LEDs, short lens, perm. mount, ½" pipe mount, 10-30V	194.35
240H8SL1-*	Ultra high intensity LEDs, short lens, perm. mount, 1" pipe mount, 10-30V	194.35
240H8SLM-*	Ultra high intensity LEDs, short lens, mag. mount, 10-30V	210.24
240HCFL-*	High intensity LEDs, tall lens, flange base, ½" pipe mount, 10-30V	196.38
240HCFL1-*	High intensity LEDs, tall lens, flange base, 1" pipe mount, 10-30V	196.38
240HCGL-*	High intensity LEDs, tall lens, perm. mount, G-plate, 10-30V	207.87
240HCL-*	High intensity LEDs, tall lens, perm. mount, ½" pipe mount, 10-30V	187.59
240HCL1-*	High intensity LEDs, tall lens, perm. mount, 1" pipe mount, 10-30V	187.59
240HCLM-*	High intensity LEDs, tall lens, mag. mount, 10-16V	196.38
240HSFL-*	High intensity LEDs, short lens, flange base, ½" pipe mount, 10-30V	187.59
240HSFL1-*	High intensity LEDs, short lens, flange base, 1" pipe mount, 10-30V	187.59
240HSG1L-*	High intensity LEDs, short lens, perm. mount, 1" pipe mount, G-plate, 10-30V	207.87
240HSGL-*	High intensity LEDs, short lens, perm. mount, G-plate, 10-30V	207.87
240HSL-*	High intensity LEDs, short lens, perm. mount, ½" pipe mount, 10-30V	178.46
240HSL1-*	High intensity LEDs, short lens, perm. mount, 1" pipe mount, 10-30V	178.46
240HSLM-*	High intensity LEDs, short lens, mag. mount, 10-16V	187.59
255H8TAL-*	Ultra high intensity LEDs, tall lens, dust cover, perm. mount, 10-30V	201.11
255H8TALV-*	Ultra high intensity LEDs, tall lens, dust cover, perm. mount, 10-16V	256.20
255H8TCL-*	Ultra high intensity LEDs, tall lens, perm. mount, 10-30V	191.98
255H8TCLM-*	Ultra high intensity LEDs, tall lens, mag. mount, 10-16V	207.87
255H8TCLV-*	Ultra high intensity LEDs, tall lens, vacuum mag. mount, 10-16V	247.42
255H8TSL-*	Ultra high intensity LEDs, short lens, perm. mount, 10-30V	191.98
255H8TSLM-*	Ultra high intensity LEDs, short lens, mag. mount, 10-16V	207.87
255H8TSLV-*	Ultra high intensity LEDs, short lens, vacuum mag. mount, 10-16V	247.42

<b>Star Halo® LED Beacons (continued)</b>		
* = Dome colors: A, B, C, G, R		
<b>Model Number</b>	<b>Description</b>	<b>List</b>
255HTCL-*	High intensity LEDs, tall lens, perm. mount, 10-16V	165.96
255HTCLM-*	High intensity LEDs, tall lens, mag. mount, 10-16V	181.84
255HTCLV-*	High intensity LEDs, tall lens, vacuum mag. mount, 10-16V	221.73
255HTSL-*	High intensity LEDs, short lens, perm. mount, 10-30V	165.96
255HTSLM-*	High intensity LEDs, short lens, mag. mount, 10-16V	181.84
255HTSLV-*	High intensity LEDs, short lens, vacuum mag. mount, 10-16V	221.73
257H8TAL-*	Ultra high intensity LEDs, tall lens, dust cover, perm. mount, 10-30V	207.53
257H8TALV-*	Ultra high intensity LEDs, tall lens, dust cover, perm. mount, 10-16V	263.30
257H8TCL-*	Ultra high intensity LEDs, tall lens, perm. mount, 10-30V	198.74
257H8TCLV-*	Ultra high intensity LEDs, tall lens, vacuum mag. mount, 10-16V	254.18
257H8TSL-*	Ultra high intensity LEDs, short lens, perm. mount, 10-30V	198.74
257H8TSLV-*	Ultra high intensity LEDs, short lens, vacuum mag. mount, 10-16V	254.18
257HTCL-*	High intensity LEDs, tall lens, perm. mount, 10-30V	172.72
257HTCLV-*	High intensity LEDs, tall lens, vacuum mag. mount, 10-16V	228.49
257HTSL-*	High intensity LEDs, short lens, perm. mount, 10-30V	172.72
257HTSLV-*	High intensity LEDs, short lens, vacuum mag. mount, 10-16V	228.49
251H8TAL-*	Ultra high intensity LEDs, tall lens, dust cover, perm. mount, 10-30V	234.57
251H8TAL-BG-*	Ultra high intensity LEDs, tall lens, dust cover, branch guard, perm. mount, 10-30V	258.23
251H8TCL-*	Ultra high intensity LEDs, tall lens, perm. mount, 10-30V	223.76
251H8TCL-BG-*	Ultra high intensity LEDs, tall lens, branch guard, perm. mount, 10-30V	247.42
251H8TSL-*	Ultra high intensity LEDs, short lens, perm. mount, 10-30V	223.76
251H8TSL-BG-*	Ultra high intensity LEDs, short lens, branch guard, perm. mount, 10-30V	247.42
251HTAL-*	High intensity LEDs, tall lens, dust cover, perm. mount, 10-30V	220.38
251HTAL-BG-*	High intensity LEDs, tall lens, dust cover, branch guard, perm. mount, 10-30V	249.11
251HTCL-*	High intensity LEDs, tall lens, perm. mount, 10-30V	214.97
251HTCL-BG-*	High intensity LEDs, tall lens, branch guard, perm. mount, 10-30V	238.29
251HTSL-*	High intensity LEDs, short lens, perm. mount, 10-30V	214.97
251HTSL-BG-*	High intensity LEDs, short lens, branch guard, perm. mount, 10-30V	238.29
200ZHL-*	Die cast base, perm. mount, 10-16V	135.20
200ZHLM-*	Die case base, mag. mount, 10-16V	153.11
200ZHRL-*	Rotating pattern, die cast base, perm. mount, 10-30V	152.10
200ZHRLM-*	Rotating pattern, die case base, mag. mount, 10-16V	167.99
200AHDL-**	Dual color, dust cover, perm. mount, 10-30V	288.65
200SHDL-**	Dual color, die cast base, perm. mount, ½" pipe mount, 10-30V	242.01
200SHDLM-**	Dual color, die cast base, mag. mount, 10-16V	257.56
258HTDAL-**	Dual color, tall lens, dust cover, polycarbonate base, three hole perm. mount, 1" pipe mount, 10-30V	232.88
258HTDALV-**	Dual color, tall lens, dust cover, polycarbonate base, vacuum mag. mount, 10-16V	288.31
258HTDCL-**	Dual color, tall lens, polycarbonate base, three hole perm. mount, 1" pipe mount, 10-30V	223.76
258HTDCLV-**	Dual color, tall lens, polycarbonate base, vacuum mag. mount, 10-16V	279.53
258HTDSL-**	Dual color, short lens, polycarbonate base, three hole perm. mount, 1" pipe mount, 10-30V	223.76
258HTDSL V-**	Dual color, short lens, polycarbonate base, vacuum mag. mount, 10-16V	279.53

<b>LED Beacons</b>		
<b>* = Dome colors: A, B, C, G, R</b>		
<b>Model Number</b>	<b>Description</b>	<b>List</b>
256TCL-*	Tall lens, three hole perm. mount, 1" pipe mount, 10-30V	79.43
256TCLM-*	Tall lens, mag. mount, 10-16V	95.32
256TCLV-*	Tall lens, vacuum mag. mount, 10-16V	135.20
256TSL-*	Short lens, three hole perm. mount, 1" pipe mount, 10-30V	79.43
256TSLM-*	Short lens, mag. mount, 10-16V	95.32
256TSLV-*	Short lens, vacuum mag. mount, 10-16V	135.20
240CFL-*	Tall lens, flange base, perm. mount, 10-30V	90.25
240CFL1-*	Tall lens, flange base, perm. mount, 1" pipe mount, 10-30V	90.25
240SFL-*	Short lens, flange base, perm. mount, 10-30V	90.25
240SFL1-*	Short lens, flange base, perm. mount, 1" pipe mount, 10-30V	90.25
<b>Revolving LED Beacon</b>		
<b>* = Dome colors: A, B, C, G, R</b>		
400A-LED-*	Rotating, (2) Par 36 heads, perm. mount, 12V	338.68
<b>Compact LED Beacons</b>		
<b>* = Dome colors: A, B, C, G, R</b>		
200ZL-*	360° beacon, die cast base, perm. mount, ½" pipe mount, 10-16V	82.81
200ZL-110-*	360° beacon, die cast base, perm. mount, ½" pipe mount, 10-110V	123.71
200ZLM-*	360° beacon, die cast base, mag. mount, 10-16V	98.70
201ZL-*	360° beacon, perm. mount, ½" pipe mount, 10-16V	67.94
201ZL-110-*	360° beacon, perm. mount, ½" pipe mount, 10-110V	81.46
201ZLM-*	360° beacon, mag. mount, 10-16V	83.49
203MVL-*	360° beacon, flange base, perm. mount, ½" pipe mount, 10-16V	61.52
203MVL-110-*	360° beacon, flange base, perm. mount, ½" pipe mount, 10-110V	102.41
203MVLm-*	360° beacon, mag. mount, 10-16V	77.40
204MVL-110-*	360° beacon, flange base, perm. mount, ½" pipe mount, 10-110V	114.58
204MVL-*	360° beacon, flange base, perm. mount, ½" pipe mount, 10-16V	73.68
<b>Star Strobe Beacons</b>		
<b>* = Dome colors: A, B, C, G, R</b>		
200A-12V-*	S/D/Q flash, tall lens, dust cover, perm. mount, 12-24V	186.58
200ADH-12V-*	High power, double flash, tall lens, dust cover, perm. mount, 12-24V	236.60
200AQH-12V-*	High power, quad flash, tall lens, dust cover, perm. mount, 12-24V	250.12
200B-12V-*	S/D/Q flash, tall lens, dust cover, perm. mount, 12-24V	196.38
200BDH-12V-*	High power, double flash, tall lens, dust cover, perm. mount, 12-24V	236.60
200BQH-12V-*	High power, quad flash, tall lens, dust cover, perm. mount, 12-24V	252.82
200C-12V-*	S/D/Q flash, perm. mount, 12-24V	162.58
200CF-12V-*	S/D/Q flash, flange base, perm. mount, 12-24V	157.85
200E-*	Single flash, high/low, perm. mount, or ¾" mount, 117V	182.86
250A-12V-*	S/D/Q flash, tall lens, dust cover, die cast base, perm. mount, 12-24V	176.10
250ADH-12V-*	High power, double flash, tall lens, dust cover, die cast base, perm. mount, 12-24V	216.66
250AH-12V-*	S/D/Q, high power, tall lens, dust cover, die cast base, perm. mount, 12-24V	203.48
250AQH-12V-*	High power, quad flash, tall lens, dust cover, die cast base, perm. mount, 12-24V	224.43
250C-12V-*	S/D/Q flash, tall lens, die cast base, perm. mount, 12-24V	166.97

<b>Star Strobe Beacons (continued)</b>		
<b>* = Dome colors: A, B, C, G, R</b>		
Add \$10.00 for AC voltage option (not available for all lights)		
<b>Model Number</b>	<b>Description</b>	<b>List</b>
250CDH-12V-*	High power, double flash, tall lens, die cast base, perm. mount, 12-24V	206.86
250CH-12V-*	S/D/Q, high power, tall lens, die cast base, perm. mount, 12-24V	194.01
250CQH-12V-*	High power, quad flash, tall lens, die cast base, perm. mount, 12-24V	213.62
250S-12V-*	S/D/Q flash, short lens, die cast base, perm. mount, 12-24V	157.85
250SDH-12V-*	High power, double flash, short lens, die cast base, perm. mount, 12-24V	198.41
250SH-12V-*	S/D/Q, high power, short lens, die cast base, perm. mount, 12-24V	185.22
250SQH-12V-*	High power, quad flash, short lens, die cast base, perm. mount, 12-24V	205.17
255HTC-*	D/Q flash, tall twist on/off lens, photocell, flange base, perm. mount, 12-24V	129.12
255HTCM-*	D/Q flash, tall twist on/off lens, photocell, flange base, mag. mount, 12V	144.33
255HTCV-*	D/Q flash, tall twist on/off lens, photocell, flange base, vacuum mag. mount, 12V	184.21
255TC-*	S/D/Q flash, tall twist on/off lens, flange base, perm. mount, 12-48V	83.82
255TCM-*	S/D/Q flash, tall twist on/off lens, flange base, mag. mount, 12V	99.37
255TCV-*	S/D/Q flash, tall twist on/off lens, flange base, vacuum mag. mount, 12V	138.92
255TS-*	S/D/Q flash, short twist on/off lens, flange base, perm. mount, 12-48V	83.82
255TSM-*	S/D/Q flash, short twist on/off lens, flange base, mag. mount, 12V	99.37
255TSV-*	S/D/Q flash, short twist on/off lens, flange base, vacuum mag. mount, 12V	138.92
200S-12V-*	S/D/Q flash, medium profile, die cast base, perm. mount, 12-24V	134.86
200SM-12V-*	S/D/Q flash, medium profile, die cast base, mag. mount, 12V	150.75
240C-12V-*	S/D/Q flash, tall lens, die cast base, perm. mount, ½" pipe mount, 12-24V	127.09
240CF-12V-*	S/D/Q flash, tall lens, die cast base, flange base, perm. mount, ½" pipe mount, 12-24V	129.79
240CM-12V-*	S/D/Q flash, tall lens, die cast base, mag. mount, 12V	142.64
240S-12V-*	S/D/Q flash, short lens, die cast base, perm. mount, ½" pipe mount, 12-24V	127.09
240SF-12V-*	S/D/Q flash, short lens, die cast base, flange base, perm. mount, ½" pipe mount, 12-24V	129.79
240SM-12V-*	S/D/Q flash, short lens, die cast base, mag. mount, 12V	142.64
242CFL-12V-*	D/Q flash, tall lens, photocell, die cast base, flange base, perm. mount, ½" pipe mount, 12-24V	136.55
242CL-12V-*	D/Q flash, tall lens, photocell, die cast base, perm. mount, ½" pipe mount, 12-24V	138.24
242CLM-12V-*	D/Q flash, tall lens, photocell, die cast base, mag. mount, 12V	154.13
242SFL-12V-*	D/Q flash, short lens, photocell, die cast flange base, perm. mount, ½" pipe mount, 12-24V	136.55
242SL-12V-*	D/Q flash, short lens, photocell, die cast base, perm. mount, ½" pipe mount, 12-24V	138.24
242SLM-12V-*	D/Q flash, short lens, photocell, die cast base, mag. mount, 12V	154.13
241S-12V-*	S/D/Q flash, perm. mount, ½" pipe mount, 12-24V	127.09
241SF-12V-*	S/D/Q flash, flange base, perm. mount, ½" pipe mount, 12-24V	129.79
241SM-12V-*	S/D/Q flash, mag. mount, 12V	142.64
211R-12V-*	Single flash, rubber base, perm. mount on two studs on 4 ½" centers, 12V	86.19
211RM-12V-*	Single flash, rubber base, mag. mount, 12V	103.09
211RMQ-12V-*	Quad flash, rubber base, mag. mount, 12V	107.82
211RQ-12V-*	Quad flash, rubber base, perm. mount on two studs on 4 ½" centers, 12V	90.25
200Z-12V-*	Single flash, die cast base, perm. mount, ½" pipe mount, 12V	68.95
200ZM-12V-*	Single flash, die cast base, mag. mount, 12V	86.19
200ZMQ-12V-*	Quad flash, die cast base, mag. mount, 12V	92.95
200ZQ-12V-*	Quad flash, die cast base, perm. mount, ½" pipe mount, 12V	76.39
201Z-12V-*	Single flash, snap on lens, perm. mount, ½" pipe mount, 12V	57.46
201ZM-12V-*	Single flash, snap on lens, mag. mount, 12V	68.95
201ZMQ-12V-*	Quad flash, snap on lens, mag. mount, 12V	74.36
201ZQ-12V-*	Quad flash, snap on lens, perm. mount, ½" pipe mount, 12V	62.19

<b>Star Strobe Beacons (continued)</b>		
<b>* = Dome colors: A, B, C, G, R</b>		
Add \$10.00 for AC voltage option (not available for all lights)		
Model Number	Description	List
203MV-*	Low profile, twist off/on lens, flange base, perm. mount, 10-72V	68.28
203MVM-*	Low profile, twist off/on lens, flange base, mag. mount, 10-72V	81.12
204MV-*	Low profile, twist off/on lens, flange base, perm. mount, 10-110V	83.82
<b>Star Strobe Lights</b>		
<b>* = Dome colors: A, B, C, G, R, M</b>		
200J-12V-*	Single flash, medium profile, flange base, perm. mount, ½" pipe mount, 12V	84.16
200JQ-12V-*	Quad flash, medium profile, flange base, perm. mount, ½" pipe mount, 12V	91.60
200J-1-12V-*	Single flash, outer dome, medium profile, flange base, perm. mount, ½" pipe mount, 12V	93.29
200JQ-1-*	Quad flash, outer dome, medium profile, flange base, perm. mount, ½" pipe mount, 12V	100.05
200U-*	Single flash, medium profile, flange base, perm. mount, ½" pipe mount, 110V	153.45
200U-1-*	Single flash, outer dome, medium profile, flange base, perm. mount, ½" pipe mount, 110V	194.35
735PS-*	Single flash, portable strobe, 360° lens, Safety Orange plastic base, perm. mount, requires (2) 6V batteries	85.18
735PSM-*	Single flash, portable strobe, 360° lens, Safety Orange plastic base, mag. mount, requires (2) 6V batteries	106.47
845S-12V-*	Single flash, unidirectional, self contained, Amber or Red only, 12V	145.34
845SQ-12V-*	Quad flash, unidirectional, self contained, Amber or Red only, 12-24V	157.17
<b>Revolving and Flashing Beacons</b>		
<b>* = Dome colors: A, B, C, G, R, M</b>		
450A-12V-*	Standard duty, rotating, open base, perm. mount, 12V	97.01
450AH-12V-*	Halogen, high intensity, rotating, open base, perm. mount, 12V	102.08
450B-12V-*	Standard duty, rotating, enclosed base, perm. mount, 12V	99.37
450BH-12V-*	Halogen, high intensity, rotating, enclosed base, perm. mount, 12V	106.47
455BH-12V-*	Standard duty, rotating, enclosed base, perm. mount, 12V	68.94
455BHF-12V-*	Halogen, high intensity, rotating, enclosed base, perm. mount, 12V	68.94
455BHV-12V-*	Halogen, high intensity, rotating, vacuum mag. mount, 12V	152.44
20RH-12V-*	Halogen, high intensity, rotating, die cast base, perm. mount, 12V	75.37
20RHF-12V-*	Halogen, high intensity, fast rotator, die cast base, perm. mount, 12V	71.66
20RHM-12V-*	Halogen, high intensity, rotating, die cast base, mag. mount, 12V	90.58
20RI-12V-*	Incandescent, standard duty, die cast base, perm. mount, 12V	69.29
20RIF-12V-*	Incandescent flashing, standard duty, die cast base, perm. mount, 12V	69.29
20RIM-12V-*	Incandescent, standard duty, die cast base, mag. mount, 12V	85.18
400A-*	Two sealed beam, heavy duty, open base, 12V or 24V	145.34
400B-*	Two sealed beam, heavy duty, closed base, 12V or 24V	161.90
<b>Halogen Dash Lights and Accessories</b>		
<b>* = Dome colors: A, B, C, G, R, M</b>		
1188H-*	Hotshot II, halogen, perm. mount, 12V	92.61
1188HM-*	Hotshot II, halogen, mag. mount, 12V	93.96
1166HM*	Teardrop, halogen, mag. mount, 12V	101.40
1166IM-*	Teardrop, incandescent, mag. mount, 12V	99.37
1169H*	Pancake, halogen, low profile, perm. mount, 12V	79.09
1169HM-*	Pancake, halogen, low profile, mag. mount, 12V	93.96
274-874	Dash bracket, suction cups	45.29
274-875	Twin mirror reflector, fits most dash lights	21.29
274-878	Multiple flash adaptor, mirror array for 1188H series	25.69

<b>Flashing Beacons Very Low Profile</b>		
<b>* = Dome colors: A, B, C, G, R</b>		
<b>Model Number</b>	<b>Description</b>	<b>List</b>
20ZI-12V-*	Flashing, incandescent, die cast base, perm. mount, 12V	50.36
20ZIM-12V-*	Flashing, incandescent, die cast base, mag. mount, 12V	53.40
21ZI-12V-*	Flashing, incandescent, polycarbonate base, perm. mount, 12V	39.88
21ZIM-12V-*	Flashing, incandescent, polycarbonate base, mag. mount, 12V	65.91
20FI-1-12V-*	Flashing, incandescent, clear outer dome, die cast base, retaining ring, mag. mount, 12V	79.09
20FI-*	Flashing, incandescent, die cast base, retaining ring, perm. mount, 12V	70.98
735-FI-SB-PC-*	Portable strobe, steady burn/flashing/on/off, Safety Orange case, 6V - steady burn	81.46
<b>LED Lights</b>		
<b>* = LED colors: A, B, G, R, W</b>		
DLXT-121-**	Single head, perimeter standard warning, black rectangular bezel, 10-16V	74.02
DLXT-121C**	Single head, perimeter standard warning, chrome rectangular bezel, 10-16V	77.40
DLXT-124-**	Single head, perimeter standard warning, black oval bezel, 10-16V	74.02
DLXT-124C**	Single head, perimeter standard warning, chrome oval bezel, 10-16V	77.40
DLXT-241-**	Single head, perimeter standard warning, black rectangular bezel, 24V	90.25
DLXT-241C**	Single head, perimeter standard warning, chrome rectangular bezel, 24V	94.98
DLXT-244-**	Single head, perimeter standard warning, black oval bezel, 24V	90.25
DLXT-244C**	Single head, perimeter standard warning, chrome oval bezel, 24V	94.98
DLXT-2CUST	Double head, perimeter standard warning, black rectangular bezel, 10-16V	158.18
DLXT-2CUST	Double head, perimeter standard warning, black rectangular bezel, 24V	180.49
DLXT-2CUST	Double head, perimeter standard warning, chrome rectangular bezel, 10-16V	167.65
DLXT-2CUST	Double head, perimeter standard warning, chrome rectangular bezel, 24V	189.96
DLXT-3CUST	Triple head, perimeter standard warning, black rectangular bezel, 10-16V	237.28
DLXT-3CUST	Triple head, perimeter standard warning, black rectangular bezel, 24V	270.74
DLXT-3CUST	Triple head, perimeter standard warning, chrome rectangular bezel, 10-16V	251.47
DLXT-3CUST	Triple head, perimeter standard warning, chrome rectangular bezel, 24V	284.93
DLHT-121-**	Single head, hazard turn, black rectangular bezel, 10-16V	79.09
DLHT-121CAA	Single head, hazard turn, chrome rectangular bezel, Amber, 10-16V	83.82
DLHT-124-**	Single head, hazard turn, black oval bezel, Amber, 10-16V	79.09
DLHT-124CAA	Single head, hazard turn, chrome oval bezel, 10-16V	83.82
DLHT-241-**	Single head, hazard turn, black rectangular bezel, 24V	90.25
DLHT-241CAA	Single head, hazard turn, chrome rectangular bezel, 24V	94.98
DLHT-244-**	Single head, hazard turn, black oval bezel, Amber, 24V	90.25
DLHT-244CAA	Single head, hazard turn, chrome oval bezel, Amber, 24V	94.98
DLTT-121-**	Single head, auxiliary stop/tail/turn, black rectangular bezel, 10-16V	79.09
DLTT-121CAA	Single head, auxiliary stop/tail/turn, chrome rectangular bezel, 10-16V	83.82
DLTT-124-**	Single head, auxiliary stop/tail/turn, black oval bezel, 10-16V	79.09
DLTT-124CAA	Single head, auxiliary stop/tail/turn, chrome oval bezel, 10-16V	83.82
DLTT-241-**	Single head, auxiliary stop/tail/turn, black rectangular bezel, 24V	90.25
DLTT-241CAA	Single head, auxiliary stop/tail/turn, chrome rectangular bezel, 24V	94.98
DLTT-244-**	Single head, auxiliary stop/tail/turn, black oval bezel, 24V	90.25
DLTT-244CAA	Single head, auxiliary stop/tail/turn, chrome oval bezel, 24V	94.98
DLNT-121-**	Single head, steady burn, black rectangular bezel, 10-16V	67.94
DLNT-121C**	Single head, steady burn, chrome rectangular bezel, 10-16V	72.33
DLNT-121S-**	Single switch, black bezel, 10-16V	72.33
DLNT-121SC**	Single switch, chrome bezel, 10-16V	77.06
DLNT-122S-**	Double switch, black bezel, 10-16V	144.33
DLNT-122SC**	Double switch, chrome bezel, 10-16V	149.06

<b>LED Lights (continued)</b>		
* = LED colors: A, B, G, R, W		
<b>Model Number</b>	<b>Description</b>	<b>List</b>
274-DLXT-1X2	DLXT mounting bracket, one row of two LED lights	20.28
274-DLXT-2X1	DLXT mounting bracket, two rows of one LED light	13.52
274-DLXT-45	DLXT mounting bracket, 45° angle	10.14
274-DLXT-RL	DLXT mounting bracket, license plate	20.28
274-DLXT-T	DLXT mounting bracket, trunk	13.52
274-DLXT-U	DLXT mounting bracket, universal	13.52
274-DLXT-W	DLXT mounting bracket, window	13.52
BB274-DLXT-LPB	DLXT mounting bracket, six (three on each side) on license plate	36.17
274-DLX4-6-1X2	Versa Star® mounting bracket, one row of two LED lights	13.52
274-DLX4-6-2X1	Versa Star® mounting bracket, two rows of one LED lights	13.52
274-DLX4-6-45	Versa Star® mounting bracket, 45° angle	13.52
274-DLX4-6-H	Versa Star® mounting bracket, DLX4-HK and DLX6-HK headliner	13.52
274-DLX4-6-RL	Versa Star® mounting bracket, license plate	20.28
274-DLX4-6-T	Versa Star® mounting bracket, trunk	13.52
274-DLX4-6-U	Versa Star® mounting bracket, universal	10.14
274-DLX4-6-W	Versa Star® mounting bracket, window	10.14
BB274-DLX46LPM	Versa Star® mounting bracket, adjustable license plate bracket	57.80
BB274-DLX4-6-RHK	Versa Star® mounting bracket, rear window of a pickup truck, mounts to the hanger clips	20.28
BB274-DLX4-6-SLP	Versa Star® mounting bracket, rear window of a pickup truck	20.28
BB274-DLX6-BAIL	Versa Star® mounting bracket, bail bracket	21.97
BB274-DLX-VC	Versa Star® mounting bracket, visor clip	32.79
BB274-DLX4-6-RSB	Versa Star® Ford Interceptor SUV spoiler bracket kit, fits 2012-2016 models	59.15
BB274-FISUV-VER	Ford Interceptor SUV headlight bracket kit, mounts DLX3, DLX4, DLX6F in the headlight of 2016 Police Ford Int. SUV	13.52
DLX3-*	Versa Star®, three LED array, black bezel, flush or bracket mount, 10-16V	74.02
DLX3H-A	Versa Star®, high power, three LED array, black bezel, Amber only, flush or bracket mount, 10-16V	103.09
DLX4-**	Versa Star®, four LED array, black bezel, flush or bracket mount, 10-30V	137.57
DLX4C-**	Versa Star®, four LED array, chrome bezel, flush or bracket mount, 10-30V	140.95
DLX6F-**	Versa Star®, six LED array, black bezel, flush or bracket mount, 10-30V	147.71
DLX6FC-**	Versa Star®, six LED array, chrome bezel, flush or bracket mount, 10-30V	151.09
DLX6-**	Versa Star®, six LED array, black bezel, bracket mount, 10-30V	178.46
DLX6C-**	Versa Star®, six LED array, chrome bezel, bracket mount, 10-30V	184.21
DLX4-HK-**	Versa Star®, four LED array, black bezel, flashback hood, cig. plug, 10-16V	167.31
DLX4-HK-1**	Versa Star®, four LED array, black bezel, flashback hood, hardwire, 10-30V	167.31
DLX4-HK2-**	Versa Star®, dual four LED array, black bezel, flashback hood, cig. plug, 10-16V	333.94
DLX4-HK2-1**	Versa Star®, dual four LED array, black bezel, flashback hood, hardwire, 10-30V	333.94
DLX6-HK-**	Versa Star®, six LED array, black bezel, flashback hood, cig. plug, 10-16V	201.11
DLX6-HK-1**	Versa Star®, six LED array, black bezel, flashback hood, hardwire, 10-30V	201.11
DLX6-HK2-**	Versa Star®, dual six LED array, black bezel, flashback hood, cig. plug, 10-16V	401.88
DLX6-HK2-1**	Versa Star®, dual six LED array, black bezel, flashback hood, hardwire, 10-30V	401.88
DLHTHR-1-*	4" round, bezel, hazard turn, 10-30V	135.54
DLHTHR-4-*	4" round, grommet, hazard turn, 10-30V	135.54
DLNTHR-1-*	4" round, bezel, steady burn, 10-30V	112.89
DLNTHR-4-*	4" round, grommet, steady burn, 10-30V	112.89
DLNTHR-5-*	4" round, chrome ring, steady burn, 10-30V	112.89
DLXTHR-1-*	4" round, bezel, flashing, 10-30V	112.89
DLXTHR-2-*	4" round, connector, flashing, 10-30V	102.08
DLXTHR-3-*	4" round, tractor housing, flashing, 10-30V	108.50
DLXTHR-3K-**	4" round kit, tractor housing, flashing, 10-30V	216.66
DLXTHR-4-*	4" round, grommet, flashing, 10-30V	90.25
DLXTHR-5-*	4" round, chrome ring, flashing, 10-30V	109.85
DLXTHR-7-*	4" round, window bezel, flashing, 10-30V	99.37
DLXTHR-8-*	4" round, grommet and connector, flashing, 10-30V	102.08



<b>LED Lights (continued)</b>		
* = LED colors: A, B, C, G, R		
<b>Model Number</b>	<b>Description</b>	<b>List</b>
DLHTHU-1-*	6" oval, bezel, hazard turn, 10-30V	135.54
DLHTHU-4-*	6" oval, grommet, hazard turn, 10-30V	135.54
DLNTHU-1-*	6" oval, bezel, steady burn, 10-30V	112.89
DLXTHU-1-*	6" oval, bezel, flashing, 10-30V	112.89
DLXTHU-2-*	6" oval, connector, flashing, 10-30V	102.08
DLXTHU-4-*	6" oval, grommet, flashing, 10-30V	90.25
DLXTHU-7-*	6" oval, window bezel, flashing, 10-30V	99.37
DLXTHU-8-*	6" oval, grommet and connector, flashing, 10-30V	102.08
DLXTHU-9-*	6" oval, ambulance insert, flashing, 10-30V	108.50
LDH-361-S-*	Par 36, steady burn, sealed beam, spot optics, 10-30V	135.54
LDH-361-T-*	Par 36, steady burn, sealed beam, trapezoidal optics, 10-30V	135.54
LDH-362-E-*	Par 36, steady burn, swivel mount, wide spread optics, 10-30V	169.34
LDH-362-S-*	Par 36, steady burn, swivel mount, spot optics, 10-30V	169.34
LDH-362-T-*	Par 36, steady burn, swivel mount, trapezoidal optics, 10-30V	169.34
LDH-363M-S-*	Par 36, steady burn, rubber tractor housing, spot optics, mag. mount, 10-16V	183.53
LDH-363M-T-*	Par 36, steady burn, rubber tractor housing, trapezoidal optics, mag. mount, 10-16V	183.53
LDH-363-E-*	Par 36, steady burn, rubber tractor housing, wide spread optics, 10-30V	176.10
LDH-363-S-*	Par 36, steady burn, rubber tractor housing, spot optics, 10-30V	176.10
LDH-363-T-*	Par 36, steady burn, rubber tractor housing, trapezoidal optics, 10-30V	176.10
LDH-364-E-*	Par 36, steady burn, rubber grommet mount, wide spread optics, 10-30V	171.70
LDH-364-S-*	Par 36, steady burn, rubber grommet mount, spot optics, 10-30V	169.34
LDH-364-T-*	Par 36, steady burn, rubber grommet mount, trapezoidal optics, 10-30V	169.34
LDHF362-E-*	Par 36, flashing, swivel mount, wide spread optics, 10-30V	180.49
LDHF362-T-*	Par 36, flashing, swivel mount, trapezoidal optics, 10-30V	180.49
LDHF363-E-*	Par 36, flashing, rubber tractor mount, wide spread optics, 10-30V	191.98
LDHF363-T-*	Par 36, flashing, rubber tractor mount, trapezoidal optics, 10-30V	191.98
LDHF364-E-*	Par 36, flashing, rubber grommet mount, wide spread optics, 10-30V	184.89
LDHF364-T-*	Par 36, flashing, rubber grommet mount, trapezoidal optics, 10-30V	184.89
LDHT362-T-*	Par 36, hazard turn, swivel mount, spot optics, 10-30V	234.57
LDHT363-T-*	Par 36, hazard turn, rubber tractor housing, spot optics, 10-30V	234.57
LDHT364-T-*	Par 36, hazard turn, rubber grommet mount, spot optics, 10-30V	234.57
DL15-12-**	11" LED dash light, suction cup mount, cig. plug, 10-16V	448.86
DL15-12W-***	11" LED deck light, weatherproof, 12' cable, perm. mount, 10-16V	448.86
DL15-6-*	6" LED dash light, suction cup mount, cig. plug, 10-16V	257.89
DL15-6GMB-*	6" LED dash light kit, grille mount, 12' cable, 10-16V	263.98
DL15-6MMB-*	6" LED dash light kit, mirror mount, cig. plug, 10-16V	263.98
DL15-6W-*	6" LED deck light, weatherproof, 12' cable, perm. mount, 10-16V	257.89
DL15-6W-1K-**	6" LED deck light kit, weatherproof, 12' cable, perm. mount, 10-16V	598.26
ULB9-**	Alternating flashing, cig. plug, 10-16V	140.27
ULB9-1-**	Alternating flashing, 15' cable, sync. capability, 10-16V	140.27
FLKULB9-**	Alternating flashing light kit, dual head, 15' cable, sync. capability, 10-16V	275.47
RLKULB9-1-**	Alternating flashing light kit, dual head, rear mounting, 15' cable, sync. capability, 10-16V	275.47
ULB9S-**	Starburst flashing, cig. plug, 10-16V	223.76
ULB9S-1-**	Starburst flashing, 15' cable, sync. capability, 10-16V	223.76
FLKULB9S-1-**	Starburst flashing, dual head, 15' cable, sync. capability, 10-16V	442.10
RLKULB9S-1-**	Starburst flashing light kit, dual head, rear mounting, 15' cable, sync. capability, 10-16V	442.10
ULB9E-**	Eight mid power LEDs, cig. plug, 10-16V	140.27
ULB9E-1-**	Eight mid power LEDs, 12' cable, 10-16V	140.27

<b>LED Lights (continued)</b>		
* = LED colors: A, B, C, G, R		
Model Number	Description	List
ULB9LDC	Dual color, Lineum X™, cig .plug, 10-16V	264.31
ULB9LDC-1	Dual color, Lineum X™, 12' cable, 10-16V	264.31
DLS306-*	Mini-Comet™, spherical, black bezel, 10-30V	124.38
DLS306C-*	Mini-Comet™, spherical, chrome bezel, 10-30V	129.12
VL22-**	LED visor light, Auto-Tilt™, 10-16V	259.58
<b>Star Constellation™</b>		
LED colors: A, B, C, G, R		
BK255H8TCL-*	Star Constellation™, Halo® beacon, tall lens, 18" cable and connector, 10-30V	202.12
BK255H8TSL-*	Star Constellation™, Halo® beacon, short lens, 18" cable and connector, 10-30V	202.12
BKDLS306-*	Star Constellation™, Mini-Comet™, omni-directional, black bezel, 10-30V	133.17
BKDLX3-*	Star Constellation™, three LED array, black bezel, 6" cable and connector, 10-16V	88.22
BKDLX4-**	Star Constellation™, four LED array, black bezel, 6" cable and connector, 10-30V	166.30
BKDLXT-121-**	Star Constellation™, thinline, perimeter, 6" cable and connector, black rectangular bezel, 10-30V	101.06
BKDLXTHR-*	Star Constellation™, 4" round, 6" cable and connector, 10-30V	122.69
BKDLXTHU-*	Star Constellation™, 6" oval, 6" cable and connector, 10-30V	122.69
BKLD418-2	Star Constellation™, 6 outlet junction box controller	53.07
BKLDHF311-A-10	Star Constellation™, spherical in-line, 18" head side cable, 10' cable and connector, 12-24V	169.34
BKSWH-346-10	Star Constellation™, 10' cable and connector	38.19
BKSWH-346-18	Star Constellation™, 18' cable and connectors	54.42
BKSWH-346-23	Star Constellation™, 23' cable and connectors	63.21
BKSWH-346-5	Star Constellation™, 5' cable and connector	32.79
BKSWH-361-16	Star Constellation™, 16' cable and connector	61.52
BKSWH-361-21	Star Constellation™, 21' cable and connector	72.33
<b>Remote Flashing Led Kits</b>		
= LED colors: A, B, C, G, R		
LDHF301-*10	Hide-a-Star, In-line, directional head, undercover flashing kit, 10' cable, 1" hole mount, 12-24V	158.18
LDHF301-*30	Hide-a-Star, In-line, directional head, undercover flashing kit, 30' cable, 1" hole mount, 12-24V	169.34
LDHF311-*10	Hide-a-Star, In-line, spherical head, undercover flashing kit, 10' cable, 1" hole mount, 12-24V	158.18
LDHF311-*30	Hide-a-Star, In-line, spherical head, undercover flashing kit, 30' cable, 1" hole mount, 12-24V	169.34
LDK302	Hide-a-Star, In-line, two directional head kit, undercover flashing kit, 12-24V	316.03
LDK304	Hide-a-Star, In-line, two directional head kit, undercover flashing kit, 12-24V	620.57
LDK312	Hide-a-Star, In-line, two spherical head kit, undercover flashing kit, 12-24V	316.03
LDK314	Hide-a-Star, In-line, two spherical head kit, undercover flashing kit, 12-24V	620.57
<b>Remote Kits and Packs</b>		
* = LED colors: A, B, C, G, R		
RSK242P	Two head strobe kit, two phantom strobe tubes, cables, switch	309.95
RSK244P	Four head strobe kit, four phantom strobe tubes, cables, switch	427.57
RSK310P	Two head phantom hide-a-way strobe kit, quad flash, cables, switch	279.86
RSK966P	Six head strobe, six phantom strobe heads, cables, switch, 60 watt	520.52
RSK996P	Six head strobe, six phantom strobe heads, cables, switch, 90 watt	533.36
RP242	Two head strobe power supply, selectable flash patterns, 40 watt	184.21
RP244	Four head strobe power supply, selectable flash patterns, diagnostics, 75 watt	230.52
RP310	Two head D/Q flash strobe power supply, 24 watt	159.54
RP966	Six head selectable flash patterns, remote strobe power supply, 60 watt	283.24
RP996	Six head selectable flash patterns, remote strobe power supply, 90 watt	299.13

<b>Remote Heads</b>		
* = Colors: A, B, C, G, R		
Model Number	Description	List
SH3904-*	4" round strobe head	59.15
SH3920-*	Oval strobe head	59.15
SH3922-*	Aerodynamic, surface mount strobe head	70.64
SH3930-*	Par 36 round strobe head	85.18
SH3930E-*	Par 36 round strobe head, extended lens	92.27
SH3940-*	360° dummy strobe head, standard 180° cable	102.41
SH3970-*	7" round strobe head, weatherproof connector	70.64
SH4500-*	Mini rectangular strobe head	73.68
SH4501-*	Rectangular strobe head	85.18
SH4601-*	360°, 4" dummy strobe head, standard 180° cable	88.22
SH4602-*	360°, 6" dummy strobe head, standard 180° cable	93.96
ST413P	Colored phantom strobe tube (A, B, R)	43.26
ST415P*	Clear phantom flash tube, mount bracket	43.26
<b>LED Traffic Directors</b>		
LED colors: A, B, C, G, R		
TD92-36-15	Eight light Traffic Director, 1" x ½" x 36", 15' cable and control unit, 12V	562.43
TD92-36-30	Eight light Traffic Director, 1" x ½" x 36", 30' cable and control unit, 12V	612.46
TD92-47-15	Eight light Traffic Director, 1" x ½" x 47", 15' cable and control unit, 12V	581.02
TD92-47-30	Eight light Traffic Director, 1" x ½" x 47", 30' cable and control unit, 12V	631.38
TD92-47-45	Eight light Traffic Director, 1" x ½" x 47", 45' cable and control unit, 12V	706.76
TD92-47-60	Eight light Traffic Director, 1" x ½" x 47", 60' cable and control unit, 12V	753.06
TD93-36-15	Eight light Traffic Director, 2" x 5/8" x 36", 15' cable and control unit, 12V	562.43
TD93-36-30	Eight light Traffic Director, 2" x 5/8" x 36", 30' cable and control unit, 12V	612.46
TD93-47-15	Eight light Traffic Director, 2" x 5/8" x 47", 15' cable and control unit, 12V	581.02
TD93-47-30	Eight light Traffic Director, 2" x 5/8" x 47", 30' cable and control unit, 12V	631.38
TD93-47-45	Eight light Traffic Director, 2" x 5/8" x 47", 45' cable and control unit, 12V	706.76
TD93-47-60	Eight light Traffic Director, 2" x 5/8" x 47", 60' cable and control unit, 12V	753.06
TD93DLXT-47-15	48" length, 15' of cable, 10-16V	846.01
TD93DLXT-47-30	48" length, 30' of cable, 10-16V	896.04
TD93DLXT-47-45	48" length, 45' of cable, 10-16V	946.06
TD93DLXT-47-60	48" length, 60' of cable, 10-16V	996.42
TD93DLXTARO2-48	48" length, eight LED heads, four on each side, 15' of cable, 10-16V	1,466.24
TD93DLXTARO2-60	60" length, eight LED heads, four on each side, 15' of cable, 10-16V	1,601.44
TD93DLXTARO2-72	72" length, eight LED heads, four on each side, 15' of cable, 10-16V	1,736.64
TD93DLXTARO2-84	84" length, eight LED heads, four on each side, 15' of cable, 10-16V	1,872.18
TD93DLXTARO2-96	96" length, eight LED heads, four on each side, 15' of cable, 10-16V	2,007.38
TD93DLXTARO2-S	Split Traffic Director, arrows w/eight LED heads, 15' of cable, 10-16V	1,747.80
TD93DLXTARO-48	48" length, four LED heads, 15' of cable, 10-16V	1,184.35
TD93DLXTARO-60	60" length, four LED heads, 15' of cable, 10-16V	1,319.55
TD93DLXTARO-72	72" length, four LED heads, 15' of cable, 10-16V	1,455.09
TD93DLXTARO-84	84" length, four LED heads, 15' of cable, 10-16V	1,590.29
TD93DLXTARO-96	96" length, four LED heads, 15' of cable, 10-16V	1,725.49
TD93DLXTARO-S	Split Traffic Director, arrows w/four LED heads, 15' of cable, 10-16V	1,353.35
SWH-271-ARO-15	15' cable	79.43
SWH-271-ARO-30	30' cable	138.24
SWH-271-ARO-45	45' cable	197.05
SWH-271-ARO-60	60' cable	256.54

<b>LED Traffic Directors (Continued)</b>		
<b>* = LED colors: A, B, C, G, R</b>		
<b>Model Number</b>	<b>Description</b>	<b>List</b>
TDDL15-36	36", Starburst optics, standard 15' cable, 10-16V	823.71
TDDL15-42	42", Starburst optics, standard 15' cable, 10-16V	841.96
TDDL15-42TA	42", Starburst optics for Chevy Tahoe, standard 22' cable	841.96
TDDL15-47	48", Starburst optics, standard 15' cable, 10-16V	841.96
TDDL15-47CV	48", Starburst optics for Ford Crown Victoria, standard 15' cable, 10-16V	841.96
DL15-30W-*	28", combination warning and Traffic Director, 10-16V	1,058.28
DL15-30W-ARB	28", combination warning and Traffic Director (Amber, Red, Blue), 10-16V	1,058.28
TCS-1	Stop/Slow traffic control sign	223.42
TCS-1REF	Stop/Slow traffic control sign, M.U.T.C.D. reflective tape	270.74
TCS-2	Stop/Stop traffic control sign	223.42
TCS-2REF	Stop/Stop traffic control sign, M.U.T.C.D. reflective tape	270.74
TCS-6	6' extension pole for TCS-1 and TCS-2	90.25
ULB42-TD-**	Interior mount Star Phantom®, Traffic Director, 10-16V	1,015.01
ULB42-TD-1-**	Interior mount Star Phantom®, Traffic Director, stick only, 10-16V	1,015.01
ULB44-TD-**	Starburst, interior mount Star Phantom®, Traffic Director, 10-16V	1,116.41
ULB44-TD-1-**	Starburst, interior mount Star Phantom®, Traffic Director, stick only, 10-16V	1,116.41
ULB48-TD-**	Lineum X™ Phantom®, Traffic Director, dual color, 10-16V	1,127.57
TDC-3	Traffic director controller	135.20
<b>Star Phantom® LED Lightbars</b>		
<b>LED colors: A, B, C, G, R</b>		
ULB42-**	Interior undercover, front windshield mount, cig. plug, 10-16V	789.57
ULB42-1-**	Interior undercover, rear mount, cig. plug, 10-16V	789.57
ULB42-DLP-**	Interior undercover, directional LED pursuit, hardwire, 10-16V	846.01
ULB10-**	Half Phantom™, interior, vehicle specific mounting bracket kit, cig. plug, 10-16V	383.63
ULB21-**	Split Phantom™, interior undercover, vehicles w/overhead consoles, cig. plug, 10-16V	721.63
ULB44-**	Starburst Phantom™, interior, front windshield mount, cig. plug, 10-16V	890.97
ULB44-1-**	Starburst Phantom™, interior, front windshield mount, hardwire, 10-16V	890.97
ULB44-2-**	Starburst Phantom™, interior, Impala front windshield mount, cig. plug, 10-16V	890.97
ULB44-3-**	Starburst Phantom™, interior, Impala rear mount, cig. plug, 10-16V	890.97
ULB44-DLP-**	Starburst Phantom™, interior, directional LED take down, hardwire, 10-16V	947.41
ULB14-**	Starburst Half Phantom™, interior undercover, vehicle specific mounting bracket kit, cig. plug, 10-16V	417.77
ULB24-**	Starburst Split Phantom™, interior undercover, vehicles w/overhead consoles, cig. plug, 10-16V	834.86
ULB24-CA-**	Starburst Split Phantom™, interior undercover, vehicles w/overhead consoles, cig. plug, CA Title 13, 10-16V	1,015.71
ULB24-DLP-**	Starburst Split Phantom™, interior undercover, vehicles w/overhead consoles, directional LED, hardwire, 10-16V	890.97
ULB18-**	Lineum X™, Half Phantom™, dual color, 10-16V	631.72
ULB18-FIS-**	Ford Interceptor Sedan Lineum X™, Half Phantom™, dual color, 10-16V	631.72
ULB18-FISUV-**	Ford Interceptor SUV Lineum X™, Half Phantom™, dual color, 10-16V	631.72
ULB28-**	Lineum X™, Split Phantom™, dual color, 10-16V	1,073.49
ULB28-FIS-**	Ford Interceptor Sedan Lineum X™, Split Phantom™, dual color, 10-16V	1,073.49
ULB28-FISUV-**	Ford Interceptor SUV Lineum X™, Split Phantom™, dual color, 10-16V	1,073.49
ULB34-1-TA	Rear window light, six Starburst heads, 30" long, for Tahoe/Suburban,10-16V	388.70
ULB38-1-TA	Rear window light, six Lineum Dual Color heads, 30" long, for Tahoe/Suburban,10-16V	633.75

<b>Star Phantom® LED Lightbar Mount Kits</b>		
<b>Vehicle Specific Mounting Kits for Half Phantoms™ (with ULB10, ULB14, and ULB18 - included in price)</b>		
<b>Model Number</b>	<b>Description</b>	<b>List</b>
274-ULB10-CH	2006-2010 Dodge Charger, 2005-2008 Dodge Magnum	34.14
274-ULB10-CH11	2011-2015 Dodge Charger	34.14
274-ULB10-CP	2011-2015 Chevrolet Caprice	34.14
274-ULB10-CV	2006-2011 Ford Crown Victoria	34.14
274-ULB10-EX	2012-2015 Interceptor SUV, 2004-2015 Ford F150, 2006-2015 Ford Explorer, 2007-2013 Ford Expedition	34.14
274-ULB10-IM	2006-2013 Chevrolet Impala	34.14
274-ULB10-INT	2012-2015 Ford Interceptor Sedan	34.14
274-ULB10-RM	2009-2015 Dodge Ram	34.14
274-ULB10-TA	2007-2015 Chevrolet Tahoe, 2007-2015 Chevrolet Suburban, 2007-2015 Chevrolet Yukon	34.14
274-ULB10-U1	Universal mounting	34.14
274-ULB21-CH	2006-2010 Dodge Charger, 2005-2008 Dodge Magnum	67.94
274-ULB21-CH11	2011-2015 Dodge Charger	67.94
274-ULB21-CP	2011-2015 Chevrolet Caprice	67.94
274-ULB21-CV	2006-2011 Ford Crown Victoria	67.94
274-ULB21-EX	2012-2015 Interceptor SUV, 2004-2015 Ford F150, 2006-2015 Ford Explorer, 2007-2013 Ford Expedition	67.94
274-ULB21-IM	2006-2013 Chevrolet Impala	67.94
274-ULB21-INT	2012-2015 Ford Interceptor Sedan	67.94
274-ULB21-RM	2009-2015 Dodge Ram	67.94
274-ULB21-TA	2007-2015 Chevrolet Tahoe, 2007-2015 Chevrolet Suburban, 2007-2015 Chevrolet Yukon	67.94
274-ULB21-U1	Universal mounting	67.94
<b>LED Mini Bars</b>		
<b>* = Dome colors: A, B, C, G, R</b>		
<b>LED colors: A, B, C, G, R</b>		
9016LED	16" Starbeam™, M-Tech Plus®, 360° warning light, perm. mount, 10-30V	519.17
9016LEDM	16" Starbeam™, M-Tech Plus®, 360° warning light, mag. mount, 10-16V	552.97
9016LEDV	16" Starbeam™, M-Tech Plus®, 360° warning light, vacuum mag. mount, 10-16V	618.54
9018DLED	16" Omega™, Lineum™, dual color, warning light, perm. mount, 10-16V	1,154.61
	upcharge per head when upgrading from 12 to 18 LEDs	15.55
9018LED	16" Omega™, Lineum™, dual color, warning light, perm. mount, 10-16V	846.35
	upcharge per head when upgrading from 6 to 9 LEDs	10.82
9018TBLED	16" Omega™, Lineum™, split color - top/bottom, perm. mount, 10-16V	884.21
	upcharge per head when upgrading from 6 to 9 LEDs	10.82
7100DLED	Mini-Laser®, Lineum™, dual color, perm. mount, 10-16V	1,353.35
7100LED	Mini-Laser®, Lineum™, single color, perm. mount, 10-16V	580.00
7100TBLED	Mini-Laser®, Lineum™, split color - top/bottom, perm. mount, 10-16V	1,082.61
9100LED	Star Contour™, M-Tech Plus®, perm. mount, 10-30V	349.83
9100LED	Star Contour™, M-Tech Plus®, PC LEDs, perm. mount, (A, AB, AW only), 10-30V	359.29
9100LEDM	Star Contour™, M-Tech Plus®, mag. mount, 10-16V	394.78
9100LEDM	Star Contour™, M-Tech Plus®, PC LEDs, mag. mount, (A, AB, AW only), 10-16V	404.25
9100LEDV	Star Contour™, M-Tech Plus®, vacuum mag. mount, 10-16V	461.03
9100LEDV	Star Contour™, M-Tech Plus®, PC LEDs, vacuum mag. mount, (A, AB, AW only), 10-16V	470.16
9200H8L-*	Dual ultra high intensity LEDs, perm. mount, 10-30V	496.18
9200H8LM-*	Dual ultra high intensity LEDs, mag. mount, 10-16V	520.86
9200H8LV-*	Dual ultra high intensity LEDs, vacuum mag. mount, 10-16V	607.39
9200HL-*	Dual high intensity LEDs, perm. mount, 10-30V	419.80
9200HLM-*	Dual high intensity LEDs, mag. mount, 10-16V	444.47
9200HLV-*	Dual high intensity LEDs, vacuum mag. mount, 10-16V	509.03

<b>Strobe Mini Bars</b>		
<b>* = Dome colors: A, B, C, G, R</b>		
<b>Model Number</b>	<b>Description</b>	<b>List</b>
9200S-*	D/Q flash, (2) 360° strobe heads, (2) V-mirrors, perm. mount, 12-24V	250.80
9200SM-*	D/Q flash, (2) 360° strobe heads, (2) V-mirrors, cig. plug, mag. mount, 12-24V	279.86
9200SV-*	D/Q flash, (2) 360° strobe heads, (2) V-mirrors, cig. plug, vacuum mag. mount, 12-24V	364.03
9200H-*	(2) halogen rotators, (2) V-mirrors, perm. mount, 12V	140.95
9200HM-*	(2) halogen rotators, (2) V-mirrors, mag. mount, cig. plug, 12V	166.30
9200HV-*	(2) halogen rotators, (2) V-mirrors, vacuum mag. mount, cig. plug, 12V	253.84
<b>LED Lightbars</b>		
<b>* = LED colors: A, B, C, G, R</b>		
7232LED-*	22" Laser®, (1) M-Tech Plus® head	981.21
7460LED-*	46" Laser®, (2) M-Tech Plus® heads w/scene lighting	1,795.79
7461LED-*	46" Laser®, Police Package, (2) M-Tech Plus® heads w/scene lighting, (2) LED alleys, (2) front DLX6 take down/pursuits	2,007.04
7462LED-*	46" Laser®, Police Package, (2) M-Tech Plus® heads, (2) LED alleys, (2) LED take down/pursuits	2,059.43
7464LED-*	46" Laser®, M-Tech Plus® heads, (2) V-mirrors	1,742.73
7564LED-TOW	52" Laser®, M-Tech Plus® heads, (2) stop/tail/turns, (2) worklights	1,953.98
7565LED-TOW	52" Laser®, (2) M-Tech Plus® heads w/scene lighting, (2) stop/tail/turns, (2) worklights	2,110.47
2360LED-*	36" Razor®, (2) M-Tech Plus® heads w/scene lighting	1,214.77
2460LED-*	46" Razor®, (2) M-Tech Plus® heads w/scene lighting, (2) V-mirrors	1,267.50
2461LED-*	46" Razor®, (2) M-Tech Plus® heads w/scene lighting, (2) front DLX6 LED take down/pursuits, (2) LED alleys	1,584.54
2565LED-TOW	56" Razor®, (2) M-Tech Plus® heads w/rear scene lighting, (2) LED worklights, (2) Red Batwing stop/tail/turns	1,901.25
2364LED-*	36" Razor®, (2) M-Tech Plus® heads	1,108.98
2462LED-*	46" Razor®, (2) M-Tech Plus® heads, (2) take down/pursuits, (2) LED alleys	1,478.75
2463LED-*	46" Razor®, (2) M-Tech Plus® heads, (2) V-mirrors, (2) LED take down/alleys	1,162.04
2464LED-*	46" Razor®, (2) M-Tech Plus® heads, (2) V-mirrors	1,108.98
2464LED-TOW	46" Razor®, (2) worklights, (2) Red Batwing stop/tail/turn LEDs, Clear domes	1,436.50
5364LED-*	36" Sabre®, (2) M-Tech Plus® heads	1,056.25
5462LED-*	46" Sabre®, (2) M-Tech Plus® heads, (4) take down/pursuits, (2) alleys, LED intersection clearing, (2) V-mirrors	1,531.48
5464LED-*	46" Sabre®, (2) M-Tech Plus® heads, (2) V-mirrors	1,124.19
5564LED-*	56" Sabre®, (2) M-Tech Plus® heads, (2) V-mirrors	1,319.89
6032LED-*	20" Aerostar®, (2) M-Tech Plus® heads	541.48
6032LEDM-*	20" Aerostar®, (2) M-Tech Plus® heads, mag. mount	582.37
6464LED-*	48" Aerostar®, (2) M-Tech Plus® heads	1,127.57
6564LED-*	56" Aerostar®, (2) M-Tech Plus® heads	1,240.80
9404H8L-*	48" Starbar®, (4) Halo® eight LEDs, (2) diamond mirrors, (2) V-mirrors	938.29
9404HL-*	48" Starbar®, (4) Halo® four LEDs, (2) diamond mirrors, (2) V-mirrors	882.52

<b>Strobe Lightbars</b>		
LED colors: A, B, C, G, R		
Model Number	Description	List
2300SL	36" Razor®, (4) 7" linear strobes, (4) 4.5" linear strobes	1,151.90
2400SL	46" Razor®, (4) 7" linear strobes, (6) 4.5" linear strobes	1,841.42
2420SL	46" Razor®, (4) 7" linear strobes, (4) 4.5" linear strobes, (2) alleys, (2) front take down/pursuits, (2) rear flashers	1,828.58
2500SL	56" Razor®, (4) 7" linear strobes, (8) 4.5" linear strobes	2,089.52
5300S	36" Sabre®, (2) 360° remote strobe heads, (1) two head strobe pack, (2) large V-mirrors	843.31
5400S	46" Sabre®, (4) 360° remote strobe heads, (2) two head strobe pack, (3) medium double V-mirrors	1,243.50
5401S	46" Sabre®, (4) 360° remote strobe heads, (2) two head strobe pack, (3) medium double V-mirrors, Amber lower LED directional arrow assembly	1,657.89
5510S	56" Sabre®, (4) 360° remote strobe heads, (2) double V-mirrors, (2) rear directional halogen flood lights, (2) two head strobe packs, (2) lower stop/tail/turns	1,442.25
5511S	56" Sabre®, (4) 360° remote strobe heads, (2) double V-mirrors, (2) rear directional halogen flood lights, (2) two head strobe packs, (2) lower stop/tail/turns	1,856.63
5610S	66" Sabre®, (4) 360° remote strobe heads, (1) halogen rotator, (2) double V-mirrors, (2) small V-mirrors, (2) rear directional halogen flood lights, (2) lower stop/tail/turns	1,513.56
5611S	66" Sabre®, (4) 360° remote strobe heads, (1) halogen rotator, (2) double V-mirrors, (2) small V-mirrors, (2) rear directional halogen flood lights, (2) lower stop/tail/turns, Amber lower LED directional arrow assembly	1,927.61
5300SL	36" Sabre®, (4) 7" linear strobes, (4) 4.5" linear strobes, (2) four head strobe packs	1,634.23
5510SL	46" Sabre®, (4) 7" linear strobes, (4) 4.5" linear strobes, (2) four head strobe packs, (2) directional halogen floor lights, (2) lower stop/tail/turns	1,922.88
5511SL	46" Sabre®, (4) 7" linear strobes, (4) 4.5" linear strobes, (2) four head strobe packs, rear directional halogen flood lights, (2) lower stop/tail/turns, Amber LED directional arrow assembly	2,337.61
5610SL	56" Sabre®, (4) 7" linear strobes, (4) 4.5" linear strobes, (2) four head strobe packs, (1) halogen rotator, (2) small V-mirrors, (2) rear directional halogen flood lights, (2) lower stop/tail/turns	2,039.15
5611SL	66" Sabre®, (4) 7" linear strobes, (4) 4.5" linear strobes, (2) four head strobe packs, (1) halogen rotator, (2) small V-mirrors, (2) rear directional halogen flood lights, (2) lower stop/tail/turns, Amber lower LED directional arrow assembly	2,453.20
8300S	36" Star Interceptor®, (2) 360° remote strobe heads, (1) two head strobe pack, (2) medium V-mirrors	675.32
8400S	46" Star Interceptor®, (4) 360° remote strobe heads, (2) two head strobe packs, (2) double V-mirrors	1,025.49
8401S	46" Star Interceptor®, (4) 360° remote strobe heads, (2) two head strobe packs, (3) double V-mirrors, lower directional arrow assembly	1,387.83
8510S	56" Star Interceptor®, (4) 360° remote strobe heads, (2) double V-mirrors, rear directional halogen flood lights, (2) two head strobe packs, (2) lower stop/tail/turn lights	1,205.65
8610S	66" Star Interceptor®, (4) 360° remote strobe heads, (1) halogen rotator, (2) double V-mirrors, (2) medium V-mirrors, (2) directional halogen flood lights, (2) two head strobe packs, (2) lower stop/tail/turns	1,276.63
8300SL	36" Star Interceptor®, (4) 7" linear strobes, (4) 4.5" linear strobes, (2) four head strobe packs	1,385.80
8610SL	66" Star Interceptor®, (4) 7" linear strobes, (4) 4.5" linear strobes, (1) halogen rotator, (2) medium V-mirrors, (2) rear directional halogen flood lights, (2) four head strobe packs, (2) lower stop/tail/turns	1,802.55
6020S	20" Aerostar®, (2) 360° remote strobe heads, (1) wall mirror/strobe pack, (1) 12" dome section	367.07
6222S	24" Aerostar®, (2) 360° remote strobe heads, (1) two head strobe pack, (1) 16" dome section, (1) medium double V-mirror	400.87
6224SL	24" Aerostar®, (4) 4.5" linear strobe heads, (1) four head power pack, (1) 16" dome section	865.96
6444S	44" Aerostar®, (4) 360° remote strobe heads, (2) medium double V-mirrors, (2) two head strobe packs, (2) 16" dome sections	765.23
9300S	36" Starbar®, (2) 360° remote strobe packs, (2) V-mirrors, (2) wall mirrors, (1) two head strobe pack	480.97
9400S	48" Starbar®, (2) 360° remote strobe packs, (2) V-mirrors, (2) wall mirrors, (1) two head strobe pack	580.35
9404S	48" Starbar®, (4) 360° remote strobe packs, (3) double V-mirrors, (1) two head strobe pack	698.65
9411S	48" Starbar®, (2) 360° remote strobe packs, (2) V-mirrors, (2) wall mirrors, (2) stop/tail/turns, (3) ID marker lights, (2) rear directional halogen flood lights, (1) two head strobe pack	710.48
9500S	58" Starbar®, (6) 360° remote strobe heads, (2) double V-mirrors, (2) V-mirrors	1,082.61
9512S	58" Starbar®, (4) 360° remote strobe heads, (2) double V-mirrors, (2) stop/tail/turns, (3) ID marker lights, (2) rear directional halogen flood lights, (2) two head strobe pack	914.63

<b>Halogen Lightbars</b>		
LED colors: A, B, C, G, R		
Model Number	Description	List
5300H	36" Sabre®, (2) halogen rotators, (2) fast halogen rotators, (2) Z-mirrors	725.01
5400H	46" Sabre®, (2) halogen rotators, (2) fast halogen rotators, (2) medium V-mirrors, (2) Z-mirrors	795.65
5401H	46" Sabre®, (2) halogen rotators, (2) fast halogen rotators, (2) medium V-mirrors, (2) Z-mirrors, lower LED directional arrow assembly	1,210.38
5511H	56" Sabre®, (2) halogen rotators, (2) fast halogen rotators, (2) Z-mirrors, (2) rear directional halogen flood lights, (2) lower stop/tail/turns, lower LED directional arrow assembly	1,581.84
5611H	66" Sabre®, (2) halogen rotators, (2) fast halogen rotators, (2) Z-mirrors, (2) small V-mirrors, (2) rear directional halogen flood lights, (2) stop/tail/turns, lower LED directional arrow assembly	1,655.52
8300H	36" Interceptor®, (2) halogen rotators, (2) fast halogen rotators, (2) Z-mirrors	583.05
8400H	46" Interceptor®, (2) halogen rotators, (2) fast halogen rotators, (2) double V-mirrors, (2) Z-mirrors	654.03
8401H	46" Interceptor®, (2) halogen rotators, (2) fast halogen rotators, (1) double V-mirror, (2) Z-mirrors, lower directional arrow assembly w/colored lenses	1,068.08
8402HSL	46" Interceptor®, (2) halogen rotators, (2) fast halogen rotators, (2) large V-mirrors, (2) medium V-mirrors, (4) 4.5" linear strobe heads, (1) four head strobe pack	1,105.94
8510H	56" Interceptor®, (2) halogen rotators, (2) fast halogen rotators, (2) Z-mirrors, (2) wall mirrors, (2) rear directional flood lights, (2) lower stop/tail/turns, lower directional arrow assembly w/colored lenses	935.92
8521H	56" Interceptor®, (2) halogen rotators, (4) fast halogen rotators, (2) Z-mirrors, (2) wall mirrors, (2) rear directional flood lights, (2) lower stop/tail/turns, lower directional arrow assembly w/colored lenses	1,489.57
8610H	66" Interceptor®, (3) halogen rotators, (3) fast halogen rotators, (2) Z-mirrors, (2) medium V-mirrors, (2) lower stop/tail/turns, (2) rear directional flood lights	1,051.52
6020H	20" Aerostar®, (2) halogen rotators, (1) wall mirror, (1) 12" dome section	222.74
6020HM	20" Aerostar®, (2) halogen rotators, (1) wall mirror, (1) 12" dome section, mag. mount, cig. plug	263.30
6222H	24" Aerostar®, (2) halogen rotators, (1) double V-mirror, (1) 16" dome section	273.10
6304H	40" Aerostar®, (4) halogen rotators, (2) wall mirrors, (2) 12" dome section	528.29
6414H	44" Aerostar®, (4) halogen rotators, (2) front flashers, (2) rear flashers, (2) wall mirrors, (2) 16" dome sections	678.37
6420H	48" Aerostar®, (4) halogen rotators, (2) medium double V-mirrors, (2) 16" dome sections	601.64
6423H	48" Aerostar®, (4) halogen rotators, (2) front flashers, (2) rear flashers, (2) alley lights, (3) 12" dome sections	803.09
6430H	48" Aerostar®, (5) halogen rotators, (2) V-mirrors, (2) wall mirrors, (3) 12" dome sections	647.27
6444H	44" Aerostar®, (4) halogen rotators, (2) double V-mirrors, (1) 16" dome section	567.50
6448H	48" Aerostar®, (4) halogen rotators, (2) wall mirrors, (2) front flashers, (2) rear flashers, (2) 16" dome sections	714.53
6500H	52" Aerostar®, (5) halogen rotators, (2) V-mirrors, (2) wall mirrors, (3) 12" dome sections	666.54
6500HSL	52" Aerostar®, (3) halogen rotators, (4) 4.5" linear strobe heads, (1) four head strobe pack, (2) V-mirrors, (3) 12" dome sections	1,064.70
6506H	52" Aerostar®, (2) halogen rotators, (2) V-mirrors, (2) stop/tail/turns, (3) D.O.T. marker lights, (2) 16" end dome sections	628.00
6511H	56" Aerostar®, (4) halogen rotators, (2) rear worklights, (2) front flashers, (2) stop/tail/turns, (3) D.O.T. marker lights, (2) 16" end dome sections	728.05
6530H	56" Aerostar®, (5) halogen rotators, (2) V-mirrors, (2) double V-mirrors, (2) 16" dome sections, (1) 12" dome sections	656.40
6531H	56" Aerostar®, (5) halogen rotators, (2) front flashers, (2) rear work lights, (2) V-mirrors, (2) stop/tail/turns, (2) 16" dome sections, (1) 12" dome sections	925.44
6550H	52" Aerostar®, (2) halogen rotators, (2) double V-mirror, (2) 16" dome section	704.39
6556H	56" Aerostar®, (4) halogen rotators, (1) wall mirror, (2) front flashers, (2) stop/tail/turns, (2) 16" dome sections, (1) 12" dome sections	777.40
6603H	64" Aerostar®, (3) halogen rotators, (4) V-mirrors, (6) wall mirror arrays, (3) 16" dome sections	746.98
6606H	64" Aerostar®, (6) halogen rotators, (3) double V-mirrors, (3) 16" dome sections	802.75
9300H	36" Starbar®, (2) Starbeam halogen rotators, (2) V-mirrors, (2) wall mirrors	395.46
9400H	48" Starbar®, (2) Starbeam halogen rotators, (2) V-mirrors, (2) wall mirrors	471.51
9404H	48" Starbar®, (4) Starbeam halogen rotators, (2) V-mirrors, (2) large wall mirrors	561.76
9411H	48" Starbar®, (2) Starbeam halogen rotators, (2) V-mirrors, (2) wall mirrors, (2) stop/tail/turns, (3) ID marker lights, (2) rear directional halogen flood lights	559.05
9500H	58" Starbar®, (6) Starbeam halogen rotators, (2) V-mirrors, (2) wall mirrors	897.05
9511H	58" Starbar®, (2) Starbeam halogen rotators, (2) V-mirrors, (2) wall mirrors, (2) stop/tail/turn lights, (3) ID marker lights, (2) rear directional halogen flood lights	611.44
9512HS	58" Starbar®, (2) halogen rotators, (2) 360° remote strobe heads, (2) double V-mirrors, (2) stop/tail/turns, (3) ID marker lights, (2) rear directional halogen flood lights, (1) two head strobe pack	888.26



<b>Lightbar Mount Kits</b>		
<b>Model Number</b>	<b>Description</b>	<b>List</b>
920-35	Ford E-Series (van), Jeep Cherokee ('97 - '07)	24.00
920-35CH	Dodge Charger ('08 - '15)	24.00
920-35CTB	GMC Envoy ('02 - '05)	24.00
920-35CVLP	Ford Crown Victoria ('92 - '11)	24.00
920-35D	Dodge Avenger, Dodge Dart ('08 - '14)	24.00
920-35D1	Ford Explorer ('03 - '15)	24.00
920-35F	Dodge Dakota, Toyota Tundra, Toyota Hilux, Toyota Tacoma	24.00
920-35F1	Ford F-Series (150), ('07 - '15)	24.00
920-35F2	Ford F-Series (250, 350, 450, 550), ('07 - '15)	24.00
920-35F3	Ford Edge, Ford Escape, Ford Taurus Interceptor (sedan), ('11 - '13)	24.00
920-35F5	Ford Interceptor (Explorer), ('12 - '15)	24.00
920-35F6	Ford E-450 ('03 - '09)	24.00
920-35F9	Ford F-Series (250, 350, 450), ('03 - '15)	24.00
920-35FT	Ford Expedition ('03 - '15)	24.00
920-35GM	Dodge Dakota (Reg. Ext. Crew), Jeep Grand Cherokee, Jeep Liberty, Pontiac Grand Prix	24.00
920-35GM5	Chevrolet Suburban, Chevrolet Tahoe ('07 - '14)	24.00
920-35GM6	Chevrolet Colorado, GMC Canyon ('04 - '12)	24.00
920-35GM7	Chevrolet Caprice ('11 - '15)	24.00
920-35I6	Chevrolet Impala ('06 - '13)	24.00
920-35IZ	Isuzu Delivery Truck Chassis ('00 - '04)	24.00
920-35M1	Dodge Charger ('05-'07),	24.00
920-35RM2	Dodge Ram Pickup Reg. ('03-'07)	24.00
920-35RM3	Dodge Ram Pickup Crew 1500, 2500, 3500 ('08-'15)	24.00
920-35RM5	Dodge Ram Pickup Crew ('03-'07)	24.00
920-35-S105	Chevrolet - Avalanche, C/K Pickup (1500, 2500, 3500), Silverado/Sierra, Trailblazer, Dodge Durango, GMC Trucks	24.00
<b>Star Alarms® Back-Up Alarms</b>		
66-087	87 db, reverse speaker, compact heavy duty plastic housing, 12-36V	45.29
66-097	97 db, reverse speaker, compact heavy duty plastic housing, 12-36V	45.29
66-097-12	97 db, reverse speaker, compact heavy duty plastic housing, 12V only	45.29
66-102	102 db, reverse speaker, compact heavy duty plastic housing, 12-36V	45.29
66-107-12	107 db, reverse speaker, compact heavy duty plastic housing, 12V only	45.29
66-107-24	107 db, reverse speaker, compact heavy duty plastic housing, 24V only	45.29
66-097DT	97 db, reverse speaker, dual tone, compact heavy duty plastic housing, 12-36V	45.29
66-102DT	102 db, reverse speaker, dual tone, compact heavy duty plastic housing, 12V only	45.29
66-707A	77-97 db, reverse speaker, auto adjust, compact heavy duty plastic housing, 12-24V	49.69
66-802A	82-102 db, reverse speaker, auto adjust, compact heavy duty plastic housing, 12-24V	49.69
66-807A	87-107 db, reverse speaker, auto adjust, compact heavy duty plastic housing, 12V only	49.69
66-807A-24	87-107 db, reverse speaker, auto adjust, compact heavy duty plastic housing, 24V only	49.69
66-802S	87 or 102 db, reverse speaker, selectable, compact heavy duty plastic housing, 12-36V	49.69
66-907S	97 or 107 db, reverse speaker, selectable, compact heavy duty plastic housing, 12V only	49.69
66-097DF	97 db, reverse speaker, dual function, compact heavy duty plastic housing, 12-36V	59.15
66L-087	87 db, reverse speaker, attached lugs, compact heavy duty plastic housing, 12-36V	45.29
66L-097	97 db, reverse speaker, attached lugs, compact heavy duty plastic housing, 12-36V	45.29
66L-097-12	97 db, reverse speaker, attached lugs, compact heavy duty plastic housing, 12V only	45.29
66L-102	102 db, reverse speaker, attached lugs, compact heavy duty plastic housing, 12-36V	45.29
66L-107-12	107 db, reverse speaker, attached lugs, compact heavy duty plastic housing, 12V only	45.29
66L-107-24	107 db, reverse speaker, attached lugs, compact heavy duty plastic housing, 24V only	51.71
66L-097DT	97 db, reverse speaker, attached lugs, dual tone, compact heavy duty plastic housing, 12-36V	46.31
66L-102DT	102 db, reverse speaker, attached lugs, dual tone, compact heavy duty plastic housing, 12V only	46.31
66L-707A	77-97 db, reverse speaker, attached lugs, auto adjust, compact heavy duty plastic housing, 12-24V	49.69
66L-802A	82-102 db, reverse speaker, attached lugs, auto adjust, compact heavy duty plastic housing, 12-24V	49.69
66L-807A	87-107 db, reverse speaker, attached lugs, auto adjust, compact heavy duty plastic housing, 12V only	49.69

<b>Star Alarms® Back-Up Alarms (continued)</b>		
<b>Model Number</b>	<b>Description</b>	<b>List</b>
66-087SS	87 db, reverse speaker, Star Spectrum™, multi frequency tone, compact heavy duty plastic housing, 12-36V	79.09
66-092SS	92 db, reverse speaker, Star Spectrum™, multi frequency tone, compact heavy duty plastic housing, 12-36V	79.09
66-097SS	97 db, reverse speaker, Star Spectrum™, multi frequency tone, compact heavy duty plastic housing, 12-36V	79.09
66-087SSNS	87 db, reverse speaker, Star Spectrum™, night silent spectrum tone, compact heavy duty plastic housing, 12-36V	79.09
66-097SSNS	97 db, reverse speaker, Star Spectrum™, night silent, spectrum tone, compact heavy duty plastic housing, 12-36V	79.09
66-087NS	87 db, reverse speaker, Star Spectrum™, night silent, compact heavy duty plastic housing, 12-36V	79.09
66-097NS	97 db, reverse speaker, Star Spectrum™, night silent, compact heavy duty plastic housing, 12-36V	79.09
66-102NS	102 db, reverse speaker, Star Spectrum™, night silent, compact heavy duty plastic housing, 12-36V	79.09
66L-097SS	97 db, reverse speaker, Star Spectrum™, lugs only, night silent, compact heavy duty plastic housing, 12-36V	79.09
68-112	112 db, reverse speaker, wire leads, compact heavy duty nylon filled housing, 12-24V	89.23
68C-112	112 db, reverse speaker, 12" wire cable, compact heavy duty nylon filled housing, 12-24V	91.26
68L-112	112 db, reverse speaker, lugs only, compact heavy duty nylon filled housing, 12-24V	91.26
61-107-12	107 db, compact cast aluminum, 12V only	80.11
61-112	112 db, compact cast aluminum, 12V only	91.60
64-087	87 db, attached wire leads, compact heavy duty plastic housing, 12-36V	30.42
64-097	97 db, attached wire leads, compact heavy duty plastic housing, 12-36V	33.12
64-097-12	97 db, attached wire leads, compact heavy duty plastic housing, 12V only	33.12
64-102	102 db, attached wire leads, compact heavy duty plastic housing, 12-36V	33.12
64-107-12	107 db, attached wire leads, compact heavy duty plastic housing, 12V only	33.12
64-107-24	107 db, attached wire leads, compact heavy duty plastic housing, 24V only	33.12
64G-087	87 db, wire lugs and self grounding strap, compact heavy duty plastic housing, 12-36V	30.42
64G-097	97 db, wire lugs and self grounding strap, compact heavy duty plastic housing, 12-36V	34.14
64G-102	102 db, wire lugs and self grounding strap, compact heavy duty plastic housing, 12-36V	34.14
64G-107-12	107 db, wire lugs and self grounding strap, compact heavy duty plastic housing, 12V only	34.14
63-087	87 db, 4" round w/grommet, attached wire leads, compact heavy duty plastic housing, 12-36V	38.19
63-097	97 db, 4" round w/grommet, attached wire leads, compact heavy duty plastic housing, 12-36V	38.19
63-097-12	97 db, 4" round w/grommet, attached wire leads, compact heavy duty plastic housing, 12V only	38.19
63-102	102 db, 4" round w/grommet, attached wire leads, compact heavy duty plastic housing, 12-36V	38.19
63-107-12	107 db, 4" round w/grommet, attached wire leads, compact heavy duty plastic housing, 12V only	38.19
63-107-24	107 db, 4" round w/grommet, attached wire leads, compact heavy duty plastic housing, 24V only	38.19
63-097DT	97 db, dual tone, compact heavy duty plastic housing, 12-36V	40.90
63-102DT	102 db, dual tone, compact heavy duty plastic housing, 12-36V	40.90
60-087	87 db, single tone, compact cast aluminum, 12-36V	40.22
60-097	97 db, single tone, compact cast aluminum, 12-36V	40.90
60-102	102 db, single tone, compact cast aluminum, 12-36V	40.90
60-107-12	107 db, single tone, compact cast aluminum, 12V only	40.90
60-107-24	107 db, single tone, compact cast aluminum, 24V only	42.59
60-097DT	97 db, dual tone, compact cast aluminum, 12-36V	54.42
60-102DT	102 db, dual tone, compact cast aluminum, 12-36V	56.45
60-707A	77-97 db, auto adjust, compact heavy duty plastic housing, 12-24V	66.92
60-802A	82-102 db, auto adjust, compact heavy duty plastic housing, 12-24V	71.66
60-807A	87-107 db, auto adjust, compact heavy duty plastic housing, 12V only	71.66
BB6-097-10	97 db, bulk pack - 10 pieces, self-grounding strap	252.82
BB6-097-30	97 db, bulk pack - 30 pieces, dividers, self-grounding strap	710.81

<b>Star Alarms® Back-Up Alarms (continued)</b>		
<b>Model Number</b>	<b>Description</b>	<b>List</b>
DK64-087	87 db, wall mount display for 64-087	173.06
DK64-097	87 db, wall mount display for 64-097	186.24
DK64-097-12	87 db, wall mount display for 64-097-12	186.24
DK64-102	87 db, wall mount display for 64-102	186.24
DK64-107-12	87 db, wall mount display for 64-107-12	186.24
DK64G-087	87 db, wall mount display for 64G-087	173.39
DK64G-097	87 db, wall mount display for 64G-097	190.97
DK64G-097-12	87 db, wall mount display for 64G-097-12	190.97
DK64G-102	87 db, wall mount display for 64G-102	190.97
DK64G-107-12	87 db, wall mount display for 64G-107-12	190.97
DKC64-087	87 db, counter display for 64-087	173.06
DKC64-097	87 db, counter display for 64-097	186.24
DKC64-097-12	87 db, counter display for 64-097-12	186.24
DKC64-102	87 db, counter display for 64-102	186.24
DKC64-107-12	87 db, counter display for 64-107-12	186.24
DKC64G-087	87 db, counter display for 64G-087	173.39
DKC64G-097	87 db, counter display for 64G-097	190.97
DKC64G-097-12	87 db, counter display for 64G-097-12	190.97
DKC64G-102	87 db, counter display for 64G-102	190.97
DKC64G-107-12	87 db, counter display for 64G-107-12	190.97
<b>Switch Panels and Switch Boxes</b>		
SB4020	(1) 40 amp switch, (5) 20 amp switches, 2' wire harness	139.93
SB4020-15	(1) 40 amp switch, (5) 20 amp switches, 15' wire harness	181.51
SB4020T	(1) 40 amp switch, (5) 20 amp switches, nine position terminal block	178.13
SB4040	(1) 20 amp switch, (1) three mode 40 amps max, progressive slide switch, 2' wire harness, adjustable jumper	190.63
SB4040-15	(1) 20 amp switch, (1) three mode 40 amps max, progressive slide switch, 15' wire harness	227.81
SB4425T	(1) on/off master power switch, (4) 40 amp switches, (5) 20 amp switches, twelve position terminal block	303.19
SB1515	Enclosed switch box, (4) 20 amp switches	72.33
SP1515	Switch panel, (4) 20 amp switches	68.61
SB3015	Enclosed switch box, (1) 30 amp switch, (3) 20 amp switches	90.25
SP3015	Switch panel, (1) 30 amp switch, (3) 20 amp switches	86.87
SP3860-1	On/Off	27.72
SP3860-2	On/Off, On/Off	35.49
SP3860-2H	On/Off, High/Low	35.49
SP3860-3	On/Off, On/Off, On/Off	43.60
SP3860-3H	On/Off, High/Low, On/Off	43.60
SP3860-4	On/Off, On/Off, On/Off, On/Off	52.05
SP3860-4H	On/Off, High/Low, On/Off, On/Off	52.05
SP3860-5	On/Off, On/Off, On/Off, On/Off, On/Off	60.16
SW-11	Replacement, 30 amp on/off lighted rocker switch for SB3015	20.62
SW-20	Replacement, rocker switch for FM696 flasher box	11.49
SW-40	Replacement, 20 amp on/off lighted rocker switch for SP and SB series switch boxes and panels	12.84

<b>Starflash™ Flasher Modules and Heads</b>		
<b>Model Number</b>	<b>Description</b>	<b>List</b>
DRL366-1	Daytime running lights, tail light output and park brake override	75.37
FM3662	Two or four halogen flasher, alternating pattern, solid state, 2.4 fps, 12V	70.98
FM3662-24	Two or four halogen flasher, alternating pattern, solid state, 2.0 fps, 24V	72.33
FM3666	Alternating mechanical headlight flasher, 12V	53.07
FM3667	back-up/brake light flasher, solid state, 1.2 fps, 12V	91.94
FM3669C	1-12 flasher module, custom pattern, daytime running light compatibility, 0.8 to 3.6 fps, 12V	93.96
FM6901	Alternating headlight flasher, 1.9 fps, 12V	63.21
FM6902	Alternating headlight flasher, 2.9 fps, 12V	68.95
FM6903	Simultaneous headlight flasher, 2.9 fps, 12V	72.33
FM6904	Triple flashes left, then right, then simultaneous, 2.9 fps	68.95
FM6905	Headlight flasher module exclusive to Ford Crown Victoria Police Packages, 0.8 to 3.6 fps, 10-16V	134.52
FM6906	Headlight flasher module exclusive to Chevrolet Impala Police Packages, 3.0 fps, 12V	134.52
FM6907	Headlight flasher module exclusive to Caprice Police Packages 2011 and newer, 3.0 fps, 12V	134.52
FM6908	Isolated high beam headlight flasher for Chrysler vehicles, 0.8 to 3.6 fps, 12V	134.52
FM6909	Headlight flasher module exclusive to Chevy Tahoe Police Packages 2007 and newer, 9-16V	134.52
<b>Accessories</b>		
BB274-BEACONMMB	1" NPT beacon mirror bracket west coast style, for 1" NPT threaded beacons	30.42
BB274-7100MMB	West coast style mirror bracket for the 7100 lightbar	16.90
BB274-MINIBAR-RSR	Universal Minibar bracket for 9100, 9200, 9016, 9018 series Minibars	17.58
BB274-DLXTHU-LPB	DLXTHU/DLXT license plate bracket mounts 2 units	42.25
BB274-343K	Adjustable beacon bracket	150.41
274-RCK-48	48" basic roof rack	270.74
274-RCK-52	52" basic roof rack	270.74
274-RCK-58	58" basic roof rack	293.05
274-SL	Self levelling bracket	93.96
274-SL1	Self levelling bracket for mini-bars	117.29
SR10	Horizontal mount, three unit organizer	52.39
SR12	Horizontal mount, four unit organizer	56.11
SR7	Vertical mount, two unit organizer	40.22
SR9	Vertical mount, three unit organizer	44.62
121BX	Heavy duty enclosed mounting box for one 6" oval light head	114.24
122BX	Heavy duty enclosed mounting box for two 6" oval light heads	147.03
123BX	Heavy duty enclosed mounting box for three 6" oval light heads	197.73
131BX	Light duty enclosed mounting box for one 6" oval light head	46.31
132BX	Light duty enclosed mounting box for two 6" oval light heads	68.95
133BX	Light duty enclosed mounting box for three 6" oval light heads	105.79
141BX	Light duty enclosed mounting box for one 4" round light head	46.31
142BX	Light duty enclosed mounting box for two 4" round light heads	68.95
143BX	Light duty enclosed mounting box for three 4" round light heads	105.79
63-642	Any directional back-up alarm switch	52.39
63-643	Uni-directional back-up alarm switch	31.77
510	Clear, 4411 sealed beam, 3000cp	55.77
511	Clear, 4411 sealed beam, clear polycarbonate lens	55.09
510-1	Clear, toggle switch	39.21
510-1M	Clear, mag. mount, cig. plug, toggle switch	52.39
510-4509	Clear, 4509 high intensity sealed beam, 3000cp	58.47
510-M	Clear, mag. mount, cig. plug	47.66
510-TK	Two stop/tail light tow kit, mag. mount, 20' cord	191.98
511-1M	Clear, mag. mount, cig. plug, toggle switch, lens shield	63.21

<b>Accessories (continued)</b>		
<b>Model Number</b>	<b>Description</b>	<b>List</b>
274-40C	Tall guard for 240 series	36.84
274-40S	Short guard for 240 series	46.31
274-55TC	Tall guard for 255TC series	44.62
274-55TS	Short guard for 255TS series	44.62
274-SL255	Self levelling bracket for 255 series	99.37
274-MMB	Mirror mount bracket, ½" pipe mount	35.15
274-MMBT	½" NPT truck mirror mount bracket	35.15
274-MMB1S	1" NPT truck mirror mount bracket	35.15
274-MMBS	½" NPT truck mirror mount bracket	35.15
<b>Strobe Tube and Bulb Guide</b>		
129	5 pin helical strobe tube	25.35
129-DH	Flash tube, double flash	40.56
129-R	Squat flash tube for 241 Series and 845S	28.73
129-Z	Strobe tube	21.97
LST129-4	4.5" linear strobe tube	26.70
LST129-7	7" and 9" linear strobe head	43.26
ST3901-*	Strobe head, weatherproof connector (* = A, B, C, R)	54.42
ST3901-12	Replacement strobe	54.42
ST3901-7	Strobe tube assembly head for mini-bars and lightbars	54.42
ST413P*	Amber phantom strobe tube, amp connector, (* = A, R, B)	43.26
ST413P*-W	Amber phantom strobe tube, weatherproof connector, (* = A, R, B)	43.26
ST415PC	Clear hide-a-way strobe head, amp connector	43.26
ST415PC-W	Clear hide-a-way strobe head, weatherproof connector	43.26
2073-1142	18.4 watt bulb, incandescent, double contact	5.75
2073-1157	Stop/tail/tun bulb	3.04
2073-1195	Single contact bulb, bayonet base, 35 watt, 12V	4.06
2073-4411	Screw terminal lamp GE 300, candle power screw terminal, 12.8V	14.20
2073-4505	24V bulb	46.31
2073-4509	Lamp GE product code	39.88
2073-59013	20 watt, halogen spot for Starbar® and alley lights	28.73
2073-7400	Clear, sealed beam fro 400 and 540 series lights, 12V	14.20
2073-795X	50 watt halogen bulb, single contact, 12V	14.53
2073-797	50 watt, bi-pin bulb for 1169H	9.13
2073-94	13.3 watt incandescent, double contact bulb for Sabre® and Interceptor® Traffic Director	10.14
2073-FTEFG	35 watt bulb for Razor® alley light, 12V	28.73
2073-H20-W24	Halogen lamp, 18 watt, double contact, 24V	14.87
2073-H27	Double contact bulb fits Interceptor® lower level and alley, AeroStar® new style alley and Hotshot	14.53
2073-H27-24V	27 watt, halogen lamp, 24V	14.53
2073-H3-1 (12V)	Halogen bulb for 505HM and grille/deck lights, 55 watt, 12V	8.11
2073-H3-1 (24V)	Halogen bulb for 505HM, 24V	15.89
2073-H50S	Special 50 watt short halogen bulb for Sabre® rotator	19.27
2073-H50-W24	Single contact halogen bulb, 50 watt, fits 24V rotators, 24V	14.87

<b>Sirens</b>		
<b>Model Number</b>	<b>Description</b>	<b>List</b>
LCS600	Hand held multi-function microphone, 100 watt	297.78
LCS652-008	Three mode economy siren, two auxiliary power switches, without P.A., 100 watt	201.11
LCS653-013	Three mode undercover siren, two auxiliary power switches, without P.A., 100 watt	282.23
LCS653-1-013	Three mode undercover siren, two auxiliary power switches, without P.A., 100 watt	282.23
LCS770	Six mode siren, P.A., backlit, seven switch functions, 100/200 watt	494.16
LCS790	Light control siren, 200 watt	789.57
LCS800-008	Unistar Command Center™, less flange	900.09
LCS800-DM8	Unistar Command Center™, less flange w/detachable microphone	945.05
LCS800-F8	Unistar Command Center™, flange	900.09
LCS850-8	Unistar Command Center™, less flange	1,125.54
LCS850-DM8	Unistar Command Center™, less flange, detachable microphone	1,170.49
LCS850-F8	Unistar Command Center™, flange, Traffic Director controller	1,125.54
LCS850MG12	Unistar Command Center™, siren w/amp, less flange, dual tone, 200 watt	1,409.80
LCS850MG-F12	Unistar Command Center™, siren w/amp, head w/flange, dual tone, 200 watt	1,409.80
LCS869	MI- Control™, small nine button siren control, small hand held control w/amp, six siren, two light functions, 100 watt	383.63
LCS880-008	Unistar Command Center™, hand held	652.00
LCS881-008	Unistar Command Center™, hand held w/Traffic Director controller	877.79
SS650-013	Three mode economy siren, without P.A., 100 watt	176.10
SS651-013	Three mode undercover siren, without P.A., 100 watt	194.35
SS651MT-013	Three mode motorcycle siren w/control unit, without P.A., 100 watt	395.12
SS670-013	Compact six mode siren, P.A., backlit, 100 watt	237.28
SS700-013	Six mode siren, P.A., backlit, 100/200 watt	291.36
SS730	Six mode remote siren, P.A., backlit, 100/200 watt	562.09
SS741MG-11	Six mode dual amp siren, P.A., 100/200 watt	674.65
SS741MG-DM11	Six mode dual amp siren, detachable microphone, P.A., 100/200 watt	713.52
SS867	Small seven button hand held siren control unit w/amp, six siren functions, 100 watt	349.83
<b>Speakers</b>		
D-10	Wide angle sound distribution, Fibreglass housing, 100 watt	228.83
D-30	Concealed, narrow space mounting, steel housing, 100 watt	222.07
D-44	Cyclone™ speaker, 100 watt	255.19
D-44-16	Universal "L" bracket, '04-'05 Dodge Durango, '01 Ford Taurus, '02-'09 Ford Explorer, '04-'09 GMC Envoy, '02-'13 Chevrolet Avalanche, '02-'09 Chevrolet Suburban, '04-'06 Chevrolet Tahoe, 100 watt Cyclone™ speaker	275.47
D-44-17	Center mount bracket, '03-'11 Ford Crown Victoria, 100 watt Cyclone™ speaker	275.47
D-44-18	'07-'15 Chevrolet Suburban, '07-'15 Chevrolet Tahoe, 100 watt Cyclone™ speaker	275.47
D-44-19	'06-'13 Chevrolet Impala, 100 watt Cyclone™ speaker	275.47
D-44-20	'06-'13 Dodge Charger, 100 watt Cyclone™ speaker	275.47
D-44-21	Universal two piece adjustable bracket, 100 watt Cyclone™ speaker	275.47
D-44-22L	'08-'09 Ford F-Series Super Duty, driver side, 100 watt Cyclone™ speaker	275.47
D-44-22R	'08-'09 Ford F-Series Super Duty, passenger side, 100 watt Cyclone™ speaker	275.47
D-44-23	'08-'15 E-350/450, 100 watt Cyclone™ speaker	275.47
D-44-24	'07-'15 Ford Expedition, 100 watt Cyclone™ speaker	275.47
D-44-27	'11-'15 Dodge Charger, 100 watt Cyclone™ speaker	275.47
D-44-28	'10-'15 Ford Taurus, 100 watt Cyclone™ speaker	275.47
D-44-29	'11-'15 Ford F350, 100 watt Cyclone™ speaker	275.47
D-44-30	'11-'15 Dodge 4500, 100 watt Cyclone™ speaker	275.47
D-44-31	'11-'15 Chevrolet Caprice, 100 watt Cyclone™ speaker	275.47
D-44-32	'11-'15 dual bracket for Dodge Charger, 100 watt (each) Cyclone™ speaker	550.26
D-44-33	'10-'15 Dodge Durango, 100 watt Cyclone™ speaker	275.47
D-44-34	'10-'15 dual bracket for Inspector SUV, 100 watt (each) Cyclone™ speaker	550.26
D-44-35	'15 Chevy Tahoe, Suburban Cyclone™ speaker	275.47
D-44-FIS	'10-'15 Ford Interceptor Sedan, Cyclone speaker™ w/SPBRK-28 installed, direct Plug-n-Play, 100 watt	285.27
D-44-FISUV	'10-'15 Ford Interceptor SUV, Cyclone speaker™ w/SPBRK-28 installed, direct Plug-n-Play, 100 watt	285.27
D-60	ABS plastic housing, 100 watt	220.38
D-60C	High visibility, high gloss electro polished aluminum housing, 100 watt	288.31
D-60LP	Low profile mounting, ABS plastic housing, 100 watt	218.35
D-60RBB	Compact for motorcycles, ABS plastic housing, 100 watt	241.67
D-60RBS	Compact for motorcycles, high glass electro polished aluminum housing, 100 watt	241.67

**TERMS AND ORDERING INFORMATION**

- SALES POLICY:** All Star Headlight & Lantern Co., Inc. products are sold through distributors. Possession of our catalog and/or price list does not constitute our offer to sell to or the right to purchase directly from Star Headlight & Lantern Co., Inc.
- PRICING:** Prices are subject to increase, without prior notification, based on Star Headlight & Lantern Co., Inc.'s current selling price at the time of shipment. Taxes are not included in the price list. Star Headlight & Lantern Co., Inc. will add all applicable taxes to the invoice where required by law. Minimum purchase order - \$100.00. Minimum parts order-\$25.00. A service charge of \$10.00 will be added to all orders not meeting minimum requirements. A service charge of \$10.00 will be added to all air shipment orders. Prepaid freight on orders over \$1000.00 net invoice. This offer is limited to Star standard ground shipping to a single address within the continental U.S. An additional cost will be applied to expedited orders, shipments delivered by customer-specified carriers, and shipments to Alaska and Hawaii.
- PAYMENT:** Payment terms, for distributors with open account status, are NET 30 from date of invoice. Past due invoices will be subject to a later charge of 1-1/2% (18% annually).
- DAMAGE CLAIMS:** Claims for damage or loss in transit must be filed by the distributor against the carrier. Claims for shortages in shipment must be filed, in writing, with Star Headlight & Lantern Co. no more than 10 days from receipt of shipment.
- DELIVERY:** Star Headlight & Lantern Co., Inc. will make every effort to deliver ordered merchandise on the date requested by the distributor. Star Headlight & Lantern Co., Inc. shall not be liable for any damages to the distributor arising out of delayed shipments where the delivery circumstances are beyond the control of Star Headlight & Lantern Co., Inc.
- RETURNS:** You must contact Star Headlight & Lantern Co., Inc. prior to returning any merchandise. All returns require a Returned Goods Authorization Number (RGA #). The RGA# must be clearly marked on the package and associated paperwork. All returned merchandise is subject to inspection. Any items returned for repair that are deemed to be out of warranty are subject to parts replacement cost. If a returned item is out of warranty, the sender will be notified prior to any work being performed with an estimated cost of repair. No repairs will be done until proper authorization is obtained from the sender. Any merchandise returned for restock/credit that is not in new and saleable condition will be returned to the distributor issued and no credit will be issued. All items returned for restock are subject to a 15% restocking fee.
- INSTALLATION:** It is the sole responsibility of the owner to ensure their warning light is secure. Check the light every time you use the vehicle to ensure that it is mounted securely. Star Headlight & Lantern Co., Inc. assumes no responsibility for the secure mounting of this light. If you are mounting the light on the roof of your vehicle with a magnetic mount, take extreme care to ensure that the magnet is firmly seated on your roof, and that the pull of the magnet is sufficient to secure the light in place. As the composition of the metal in the roofs of different vehicles may vary, as well as the contour, texture and/or condition, Star Headlight & Lantern Co., Inc. cannot guarantee the ability of any magnetically mounted light to remain in place upon a moving vehicle and it is done at the sole discretion of the owner.
- WARRANTY:** The manufacturer warrants each new product, under normal use, against factory defects in material and workmanship for one year after the date of purchase. The owner will be responsible for returning to the Service Center any defective item(s) with the transportation costs prepaid. The manufacturer will, without charge, repair or replace at its option, products, or part(s), which its inspection determines to be defective. Repaired or replacement item(s) will be returned to the purchaser with transportation costs prepaid from the service point. A copy of the purchaser's receipt must be returned with the defective item(s) in order to qualify for the warranty coverage. Exclusions from this warranty include, but are not limited to, bulbs, strobe tubes, domes, and/or the finish. This warranty shall not apply to any light, which has been altered, such that in the manufacturer's judgment, the performance or reliability has been affected, or if any damage has resulted from abnormal use or service. This warranty does not apply to defect or damage occurring as a result of disaster, accident, abuse, misuse, lightning, power surges, or failure to follow enclosed manuals. Any damage or defects occurring as a result of any unauthorized service or repairs by unauthorized persons shall be excluded from this warranty. There are no warranties expressed or implied (including any warranty of merchantability or fitness), which extend this warranty period. The loss of use of the product, loss of time, inconvenience, commercial loss or consequential damages, including costs of any labor, are not covered. The manufacturer reserves the right to change the design of the product without assuming any obligation to modify any product previously manufactured. This warranty gives you specific legal rights. You might also have additional rights which may vary from state to state. Some states do not allow limitations on how long an implied warranty lasts. Some states do not allow the exclusion or limitation of incidental or consequential damages. Therefore, the above limitation(s) or exclusion(s) may not apply to you.
- PARTS PRICING:** All parts and parts pricing is available for download at our website [www.starheadlight.com](http://www.starheadlight.com).

NOTE: Bulbs and flash tubes are not covered under warranty. Speakers are not covered against water damage.

**DISTRIBUTED BY:**



**PROUDLY MADE IN THE U.S.A.**

**MAILING**

455 Rochester Street  
 Avon, NY 14414  
 PHONE 585-226-9787  
 PHONE 585-226-9500



**SHIPPING**

455 Rochester Street  
 Avon, NY 14414  
 FAX 888-478-2797  
 FAX 585-226-2029

An ISO 9001-2008 Certified Company  
[www.starheadlight.com](http://www.starheadlight.com)